



# M1 Push-to-Close Latch

38mm (1.5") · Stainless steel

- Single, round-hole installation
- Locking style restricts access
- Premium finish and corrosion resistance
- Privacy lock on locking version

### Material and Finish

Latch: 316 grade stainless steel, bright polished  
 Spacer: Nylon, black  
 Contact Southco for other finishes

### Performance Details

Maximum static load:  
 545 N (122 lbf)

### Accessories

One key supplied per latch for additional keys order M7-88-9121324-S



Spacer: M1-510-96-1 (Sold separately)

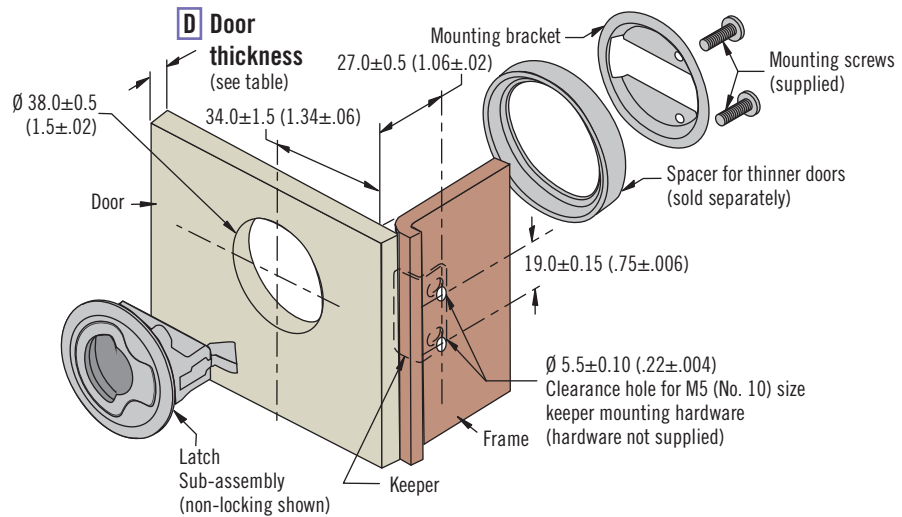
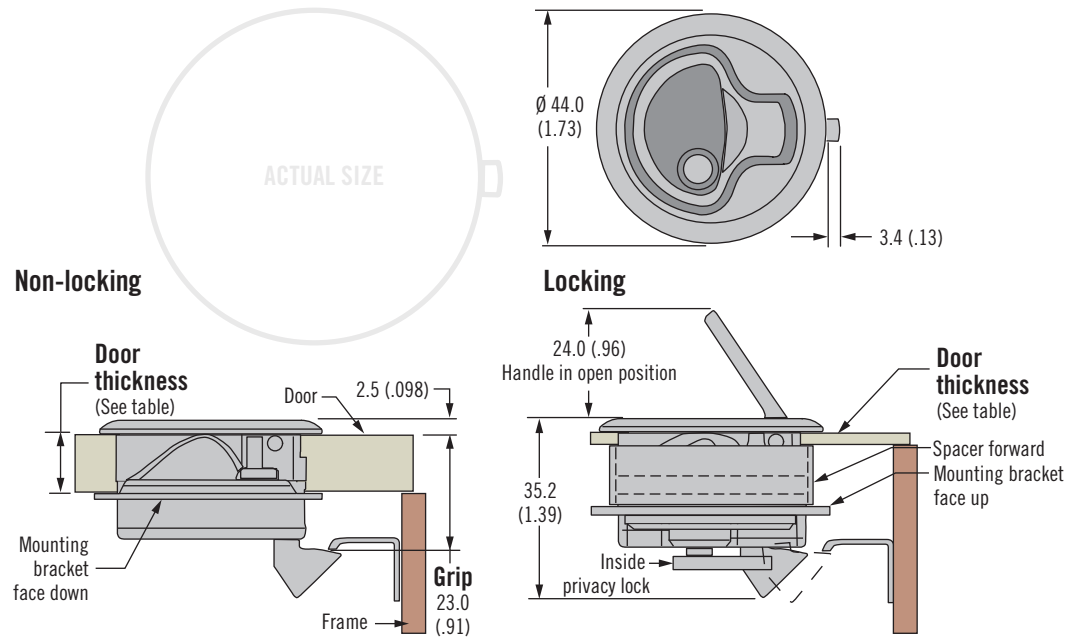


Keeper: M1-510-19-8

Mounting screws: M1-510-96-4

### Installation Notes

Use the reference table to determine if a spacer is required for the door thickness and the correct mounting bracket orientation. The spacer shown is in the forward position.



D Door Thickness	Spacer Orientation	Mounting Bracket Orientation
1.0 - 5.0 (.04 - .20)	Forward	Face Up
5.0 - 9.0 (.20 - .36)	Reverse	Face Up
9.0 - 14.5 (.36 - .57)	(not required)	Face Up
14.5 - 21.0 (.57 - .83)	(not required)	Face Down

### Part Number Selection

M1-15 - **L** 1 - 8

**L Lock style**  
 4 Locking (one tubular key supplied)  
 6 Non-locking

Other options available. For complete details on variety, part numbers, installation and specification, go to

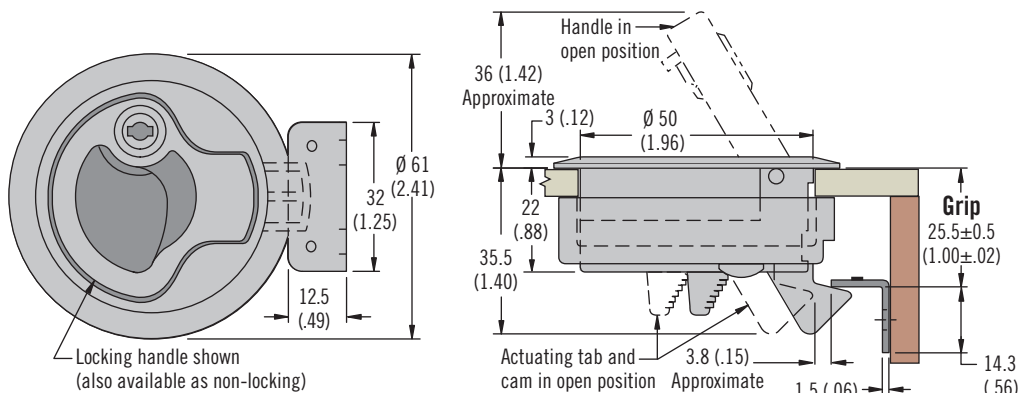


[www.southco.com/M1](http://www.southco.com/M1)

Dimensions in millimeters (inch) unless otherwise stated

# M1 Push-to-Close Latch

## 50mm (2") · Stainless steel · Plastic



- Single, round-hole installation
- Corrosion-resistant materials
- Inside actuation when locked or unlocked

### Material and Finish

Stainless steel 316 grade, electropolished or PC/PBT blend, black, white or beige

### Performance Details

Maximum working load:  
 Stainless Steel: 835 N (187 lbf)  
 PC/PBT blend 270 N (60 lbf)  
 Operating temperature range:  
 -18 °C (0 °F) to 60 °C (140 °F)

Flammability rating:  
 UL94-HB (plastic version)

### Installation Notes

Maximum tightening torque on mounting screws: 1.7 N·m (15 in·lbf)

### Accessories

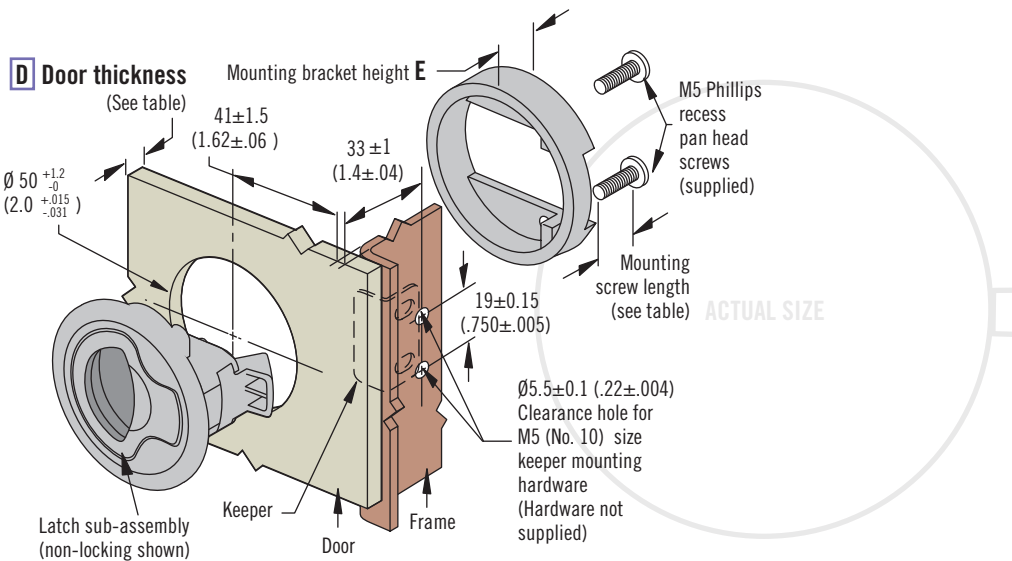
Keeper  
 Part number: M1-519-4

For lock style 4  
 Key (pair)

Part number: M1-546

For lock style 7  
 Overmolded key S008 (pair)

Part number:  
 M1-525-39-S008



D Door Thickness		Mounting Bracket Height E	Mounting Screw Length	Replacement Screw Part Number
Minimum	Maximum			
2 (.075)	7 (.275)	14 (.55)	16 (.63)	M1-0-27358-01
7 (.275)	12 (.475)	14 (.55)	20 (.81)	M1-0-27358-02
12 (.475)	17 (.675)	3.8 (.15)	16 (.63)	M1-0-27358-01
17 (.675)	22 (.875)	3.8 (.15)	20 (.81)	M1-0-27358-02

**D** Door thickness

- 2 - 7 (.075 - .275)
- 7 - 12 (.275 - .475)
- 12 - 17 (.475 - .675)
- 17 - 22 (.675 - .875)

**F** Finish

- 1 White Thermoplastic
- 7 Beige Thermoplastic
- 8 Stainless steel (omit for black)

**L** Lock style

- 4 Locking (2 keys supplied)
- 6 Non-locking
- 7 Key-locking keyed alike S008 (2 overmolded keys supplied) (Only available for stainless steel version)

**M1 - L D - F**

### Part Number Selection

See page 102 for complimentary styled compression version



# M1 Push-to-Close Latch

64mm (2.5") size · Stainless steel

- Single, round-hole installation
- Corrosion-resistant materials
- Inside actuation when locked or unlocked

### Material and Finish

Stainless steel 316 grade, electropolished

### Performance Details

Maximum working load:  
835 N (187 lbf)

Operating temperature range:  
-18°C (0°F) to 60°C (140°F)

### Installation Notes

Maximum tightening torque on mounting screws: 1.7 N·m (15 in·lbf)

### Accessories

Keeper

Part number: M1-525-19-4

For lock style 4

Key (pair)

Part number: M1-546



For lock style 7

Overmolded key S008 (pair)

Part number: M1-525-39-S008

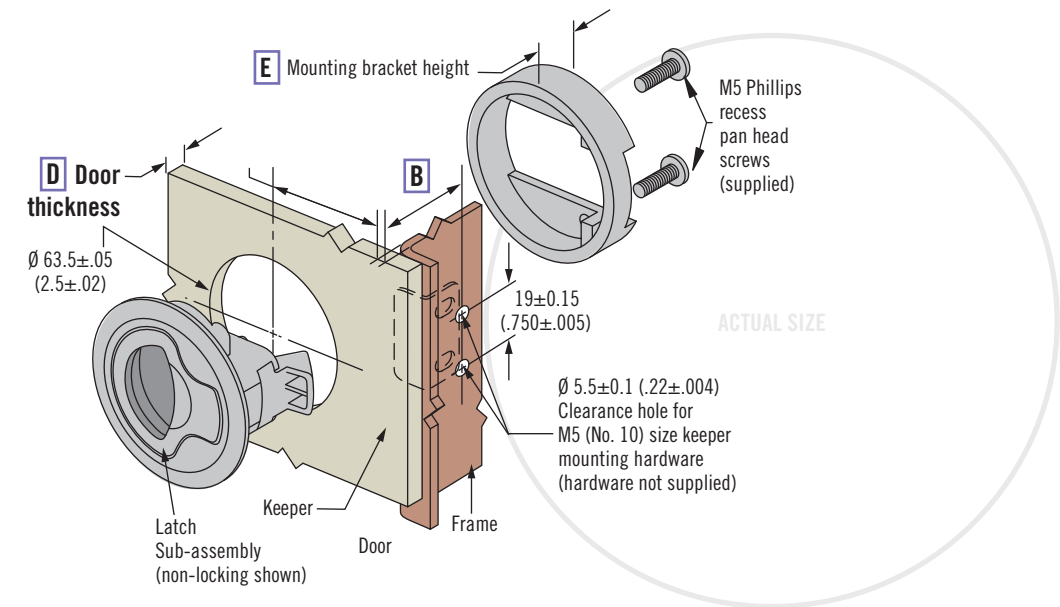
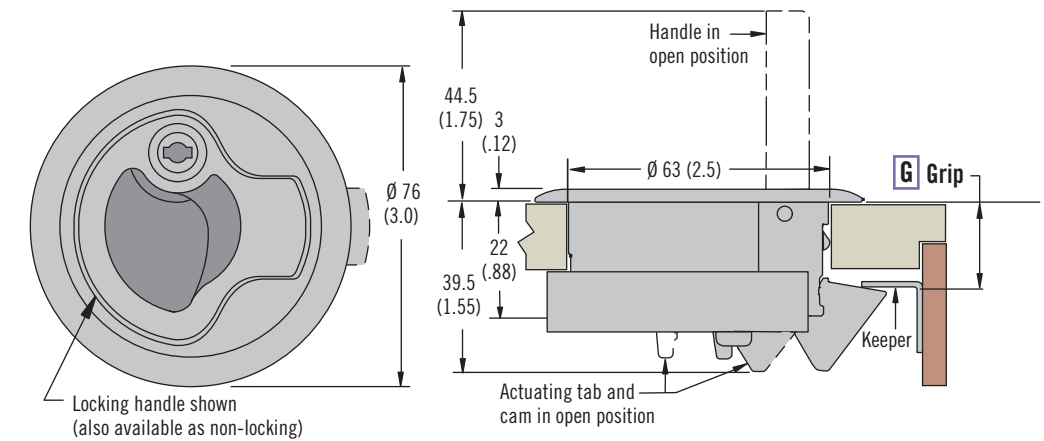


Replacement mounting screw

Part number: M1-0-27358-02

### Part Number Selection

See page 103 for complimentary styled compression version



G Grip	E Mounting Bracket Height	D Door Thickness		B
		Minimum	Maximum	
20±0.5 (.75±.02)	22 (.875)	2 (.075)	12 (.475)	27 (1.10)
32±0.5 (1.25±.02)	22 (.875)	2 (.075)	12 (.475)	39 (1.54)
20±0.5 (.75±.02)	12 (.475)	12 (.475)	22 (.875)	27 (1.10)
32±0.5 (1.25±.02)	12 (.475)	12 (.475)	22 (.875)	39 (1.54)



- L Lock style**
- 4 Locking keyed alike (2 keys supplied)
  - 6 Non-locking
  - 7 Key-locking keyed alike S008 (2 overmolded keys supplied)

Dimensions in millimeters (inch) unless otherwise stated

Other options available. For complete details on variety, part numbers, installation and specification, go to



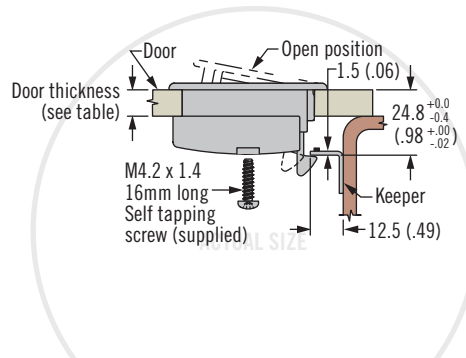
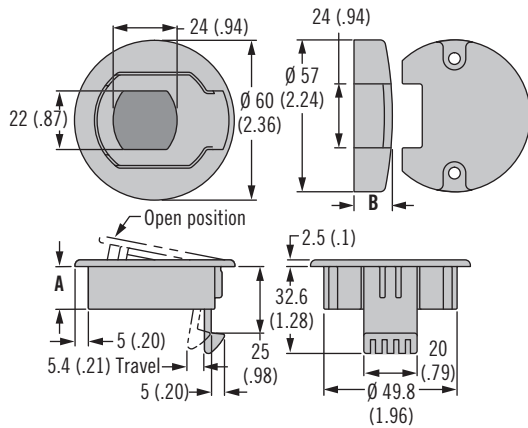
[www.southco.com/M1](http://www.southco.com/M1)

# M1 Push-to-Close Latch

## Lift-to-open · Flush



### Mounting Cup



Door Thickness Range	A	B	Part Number
1 - 7 (.04 - .28)	16 (.63)	20.4 (.80)	M1-81
7 - 13 (.28 - .51)	16 (.63)	14.3 (.57)	M1-82
13 - 19 (.51) - (.75)	22 (.87)	14.3 (.57)	M1-83

- Low profile
- Non-corrosive and non-conductive

### Material and Finish

Latch: Acetal, black  
Mounting hardware: Stainless steel

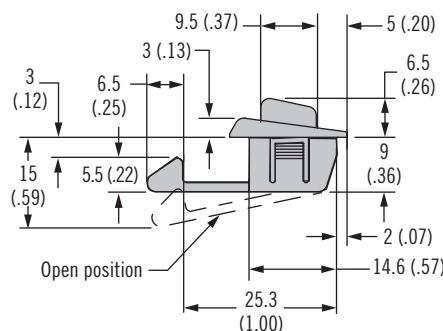
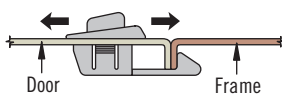
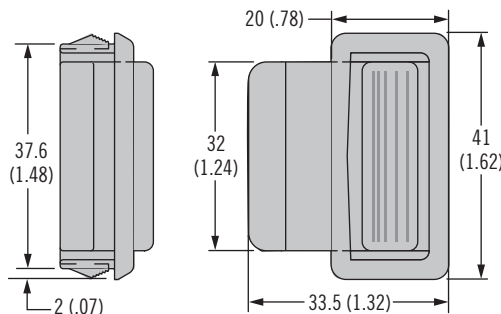
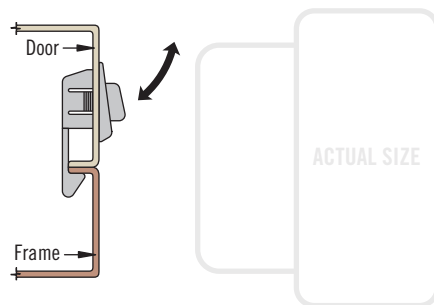
Other options available. For complete details on variety, part numbers, installation and specification, go to



[www.southco.com/M1](http://www.southco.com/M1)

# 80 Push-to-Close Latch

## Push-to-open · Snap-in



Color	Part Number
White	80-201
Black	80-202

- Snap-in installation
- Non-corrosive and non-conductive
- Suitable for sliding or hinged doors

### Material and Finish

Acetal, black or white

Other options available. For complete details on variety, part numbers, installation and specification, go to



[www.southco.com/80](http://www.southco.com/80)