

REV	DATE	DRAWN/CHKD	DESCRIPTION	PART NUMBER	FINISH
A	25AUG2010	DJK	LOCKING ASSEMBLY	AC-M1-15-41	POLISHED
B	30NOV2010	MJS	NON-LOCKING ASSEMBLY	AC-M1-15-61	POLISHED

DATE	25AUG2010
DRAWN	DJK
CHKD	XXX
SCALE	1:1
DRAWING NUMBER	J-AC-M1-15

MILLIMETERS	TOLERANCES UNLESS OTHERWISE NOTED
UP TO 0.5	±0.05
OVER 0.5 UP TO 6	±0.1
OVER 6 UP TO 30	±0.2
OVER 30	±0.3
ANGLES	±1°
A3	PAPER SIZE
THIRD ANGLE PROJECTION	

NOTES:

A. MATERIAL AND FINISH:

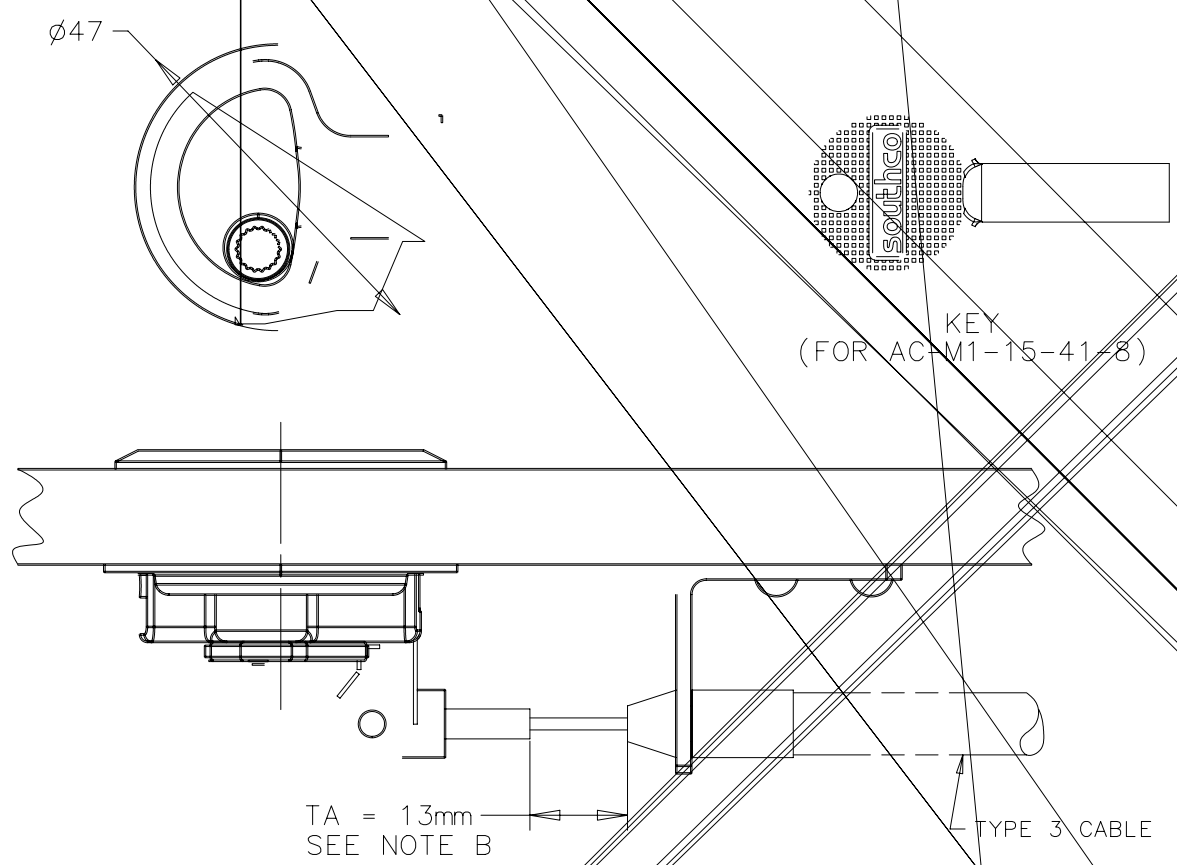
- RAWL, HANDLE, HOUSING - GE-8M STAINLESS STEEL (NOMINAL CAST EQUIVALENT OF 316 STAINLESS STEEL), POLISHED
- BRACKET, KEEPER SPRINGS, SCREW - 304 STAINLESS STEEL, POLISHED
- PIN, LOCKING LEVER SPLINE LOCKPLUG - 304 STAINLESS STEEL, PASSIVATED
- SPACER KEY - NYLON, BLACK / BRASS, CHROME PLATED

B. CABLE REQUIREMENTS: (USE TYPE 3 CABLE, SEE AC CABLE ASSEMBLY DRAWING J-AC-C)

USE A "L" SHAPE FITTING FOR THE ACTUATOR END OF THE CABLE ASSEMBLY (SEE AC CABLE DRAWING J-AC-C).  
"TA" DIMENSION = 13mm ON AC CABLE ASSEMBLY DRAWING J-AC-C.

C. CABLE INSTALLATION:

LINK RETAINER MUST BE USED TO INSTALL THE CABLE ASSEMBLY INTO THE ACTUATOR (LINK RETAINER: R4-0-43922-2 SOLD SEPARATELY).  
CABLE RETAINER MUST BE USED TO HOLD THE CABLE ASSEMBLY IN PLACE. INSTALL THE CABLE RETAINER AFTER YOU INSTALL THE CABLE AT BOTH ENDS TO ENSURE PROPER ACTUATION (CABLE RETAINER SOLD SEPARATELY SEE TABLE FOR PART NUMBER).



SEE TABLE

ø38.1 ± 0.5  
[1.5 ± .02]

MOUNTING BRACKET

M5 PHILLIPS RECESS (NO. 2) PAN HEAD MOUNTING SCREWS

CABLE RETAINER (SOLD SEPARATE) SEE TABLE (1/8" MOUNTING SCREWS NOT INCLUDED)

ACTUATOR ASSEMBLY (SEE TABLE)

LINK RETAINER (SOLD SEPARATE) R4-0-43922-2

1/2 SCALE

PART NUMBER	PANEL THICKNESS	CABLE RETAINER PART NUMBER
AC-M1-15-41-8	9 mm (.38)	R4-0-50253-1
AC-M1-15-41-8	12 mm (.5)	R4-0-50253-2
AC-M1-15-61-8	9 mm (.38)	R4-0-50253-1
AC-M1-15-61-8	12 mm (.5)	R4-0-50253-2