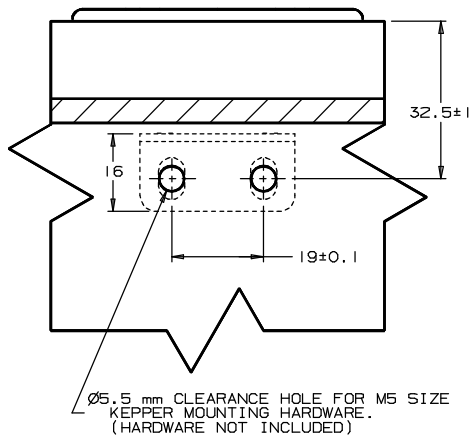
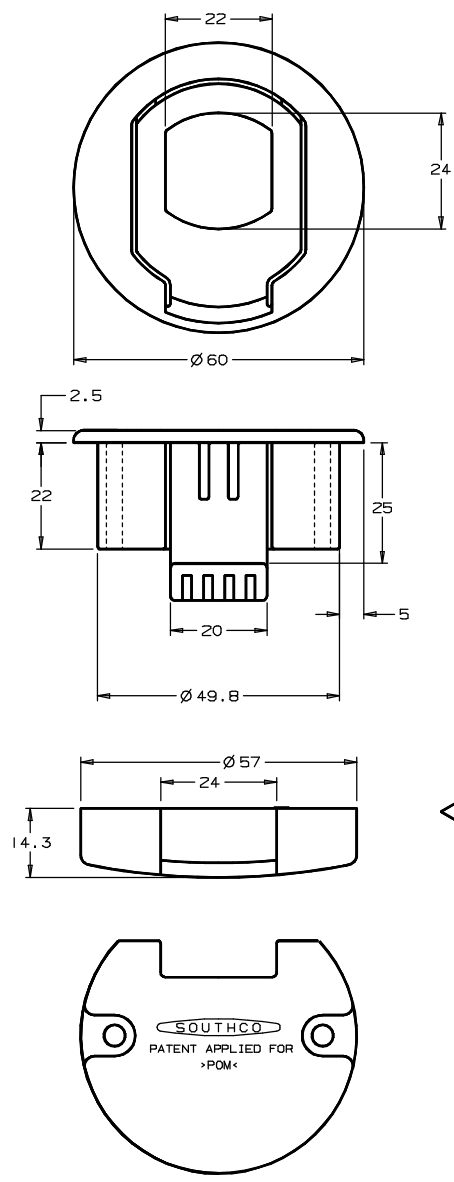


REV.	DATE	BY-CHKD	REVISIONS	PART NO.	COMPONENT	MATERIAL	FINISH
A	15 MAR 95	JGK		MI-83	LATCH	ACETAL	BLACK
B	28 SEP 98	NH		MI-73	MOUNTING CUP KEEPER	ACETAL 304 S/S	BLACK PASSIVATED
					MOUNTING SCREWS (2)	302 S/S	PASSIVATED



PANEL PREPARATION

