



R4-EM 8 Series Electromechanical Rotary Lock

Door sensor option · Extended housing option

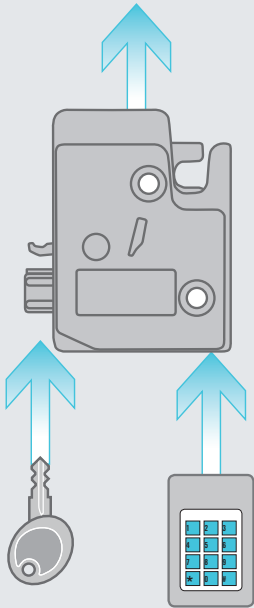
Electronic access without internal motor control

- Push-to-close, electronic release
- Auto relock functionality
- Minimal power draw
- Integrated connector
- Extended housing option for added security
- Optional door sensor
- Microswitch to detect latch status
- Mechanical over-ride with integrated cable bracket
- Efficient DC motor actuation
- Simple two-hole installation



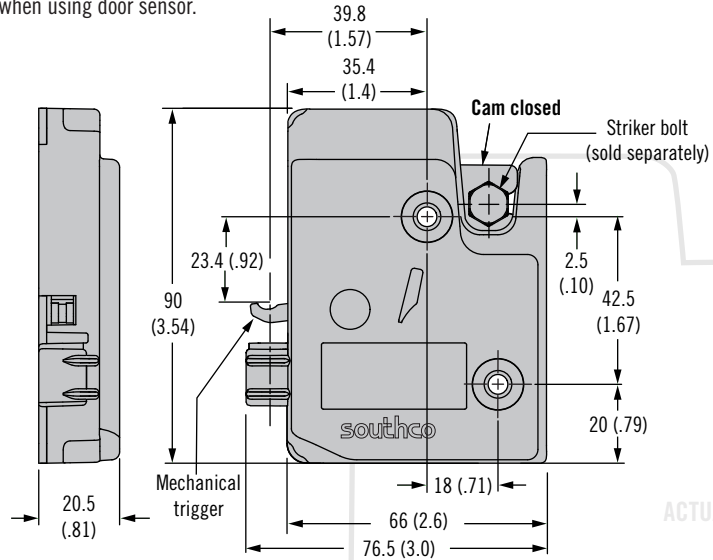
12V

24V



Extended Housing

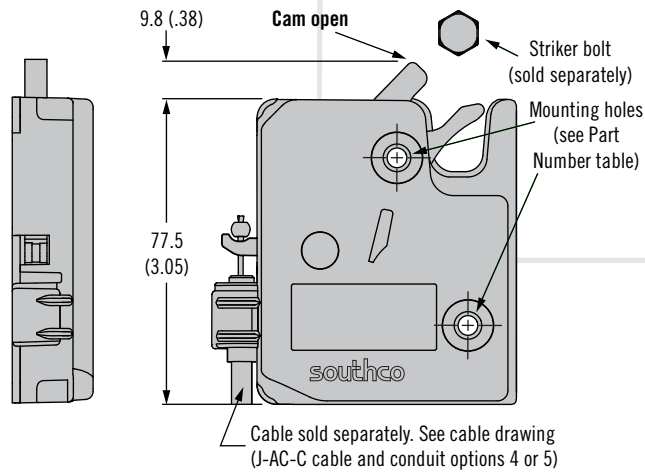
This version is required when using door sensor.



ACTUAL SIZE

Standard Housing

(Dimensions are the same as above, except as noted.)



Part Number Selection

R4 - EM - 8 B A - V S O - P

- B** Base Mounting Style
- 1 1/4-20 thread
 - 2 M6 thread
 - 3 Ø 7.0 (.27) thru hole

- A** Housing Configurations
- None Standard housing
 - 6 Extended housing

- V** Voltage
- 2 24 volts
 - 3 12 volts

- P** Packaging Options
- None Individually packaged
 - 1 Bulk packaged

- S** Integrated Door Sensor
- 3 No
 - 4 Yes (Extended housing only)

Other options available. For complete details on variety, part numbers, installation and specification, go to



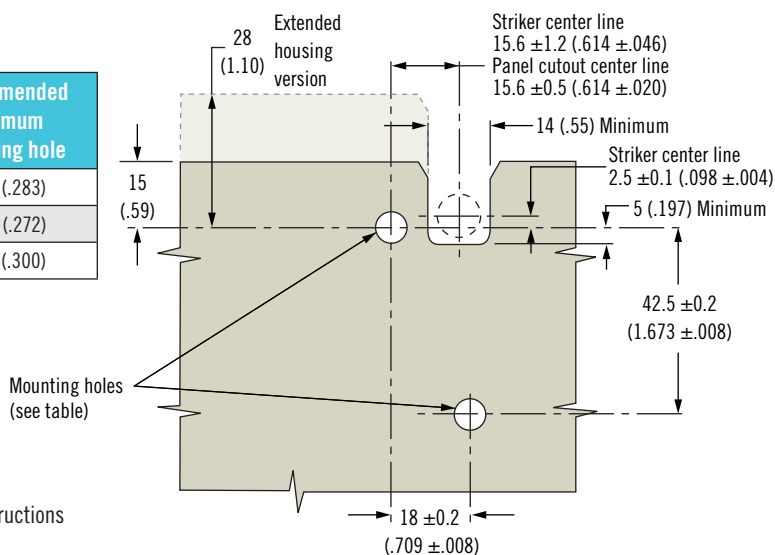
www.southco.com/R4-EM

Dimensions in millimeters (inch) unless otherwise stated

Installation

Panel Preparation

Base Mounting Style	Recommended minimum mounting hole
1/4-20 thread	Ø 7.2 (.283)
M6 thread	Ø 6.9 (.272)
Thru hole	Ø 7.6 (.300)



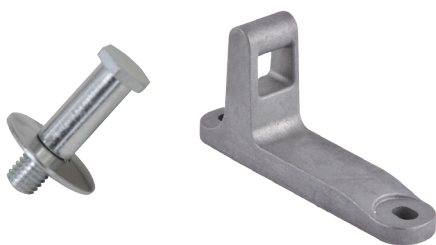
Operation

See page 34 for operating instructions

Accessories

Striker Bolt or Cast Striker

See page 35



Electronic Actuators

See page 42



Mechanical Actuators

See page 36



Cables

See page 272



Wiring/Junctions

See www.southco.com



Material & Finish

Top housing: Nylon

Gearbox cover: PC/ABS

Bottom housing, Pivot pins,

Screws: Steel, zinc plated

Cam, Trigger: Steel, sealed

Gears: Acetal

Pin, Springs: Stainless steel

Electrical Specifications

Recommended Operating Voltage:

12 V Models: 8 to 14 VDC

24 V Models: 21 to 26 VDC

Typical Operating Current :

12 V Models: Less than 200mA

24 V Models: Less than 100mA

Latch status switch: 1A Maximum

Latch Connector

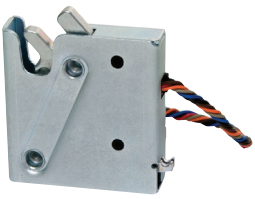
Pin Assignment

PIN 1: Power

PIN 2: Ground (-)

PIN 3: None

PIN 4: Latch status signal



R4-EM Electronic Rotary Latch

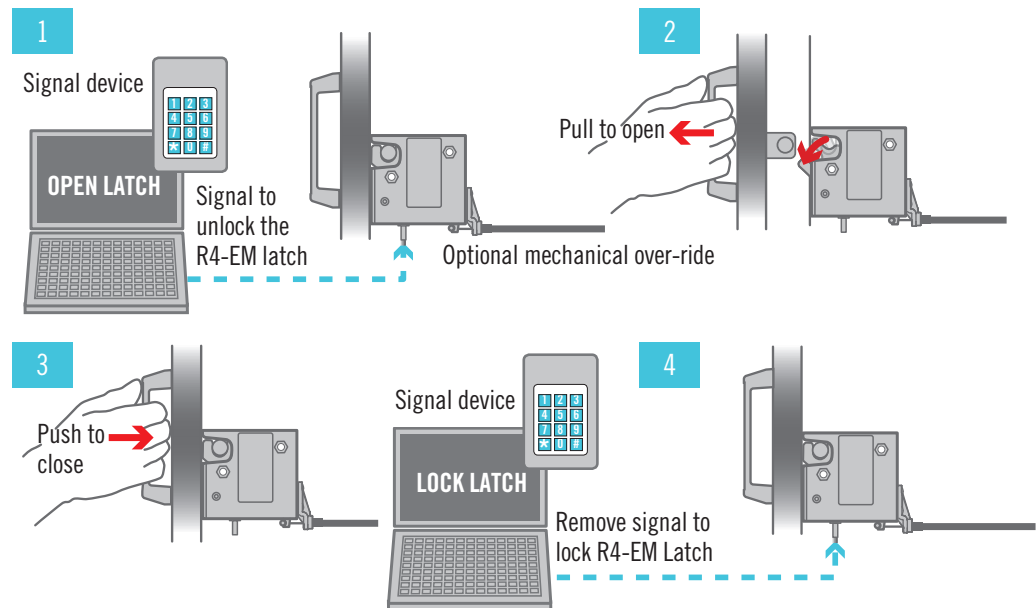
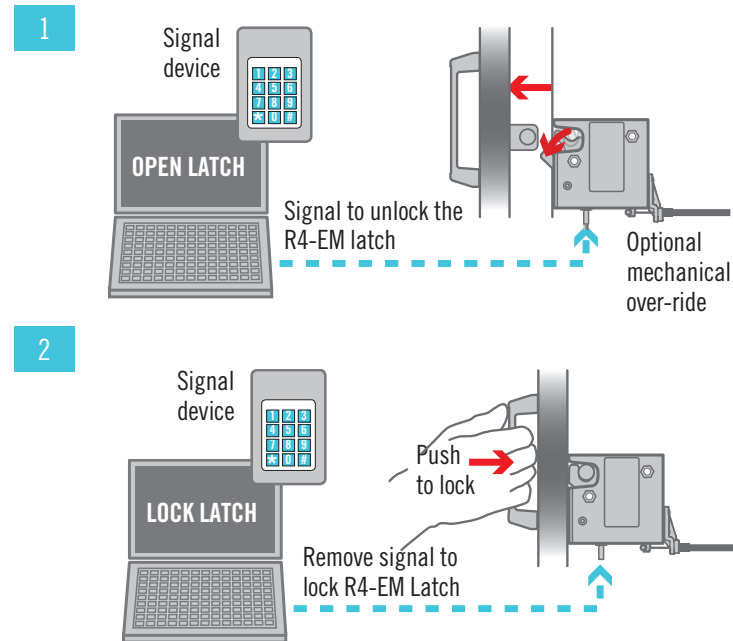
Operating instructions

Operation - Auto relock

1. The signal unlocks the R4-EM latch and releases the spring loaded cam which rotates out to push a lightweight door open. The mechanism will cycle through unlatched then re-latched state automatically, regardless of input signal on time.
2. Push door closed to engage striker after unlock time has expired. Striker will rotate cam to closed position.

Operation - Delayed relock

1. The signal unlocks the R4-EM latch leaving a biased closed door in the closed position. The unlock time is controlled by the access control device.
2. Manually pull door/striker free from R4-EM latch.
3. Manually push door closed. Striker will rotate cam to closed position, however latch will remain unlocked and can be re-opened as long as signal is present.
4. After accessing the door, the signal can be removed to re-lock the R4-EM. This can be done with the door in the open or closed position.



Other options available. For complete details on variety, part numbers, installation and specification, go to



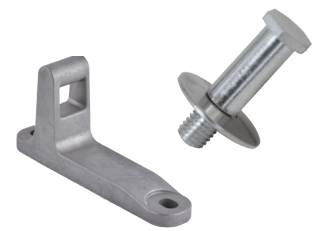
www.southco.com/R4-EM

Dimensions in millimeters (inch) unless otherwise stated

southco
CONNECT · CREATE · INNOVATE

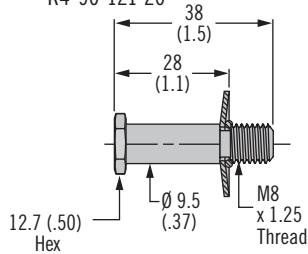
R4-EM Electronic Rotary Latch

Strikers - Cable mounting kits



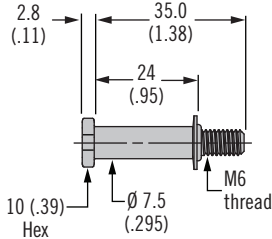
Striker Bolt - Large

Part number R4-90-121-10
R4-90-121-20



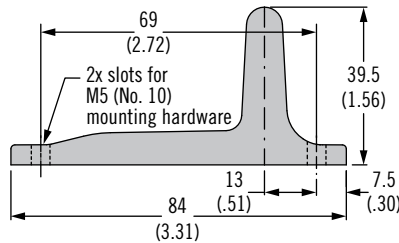
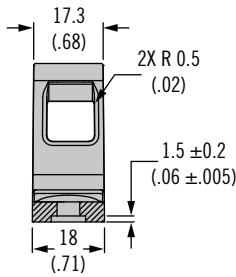
Striker Bolt - Small

Part number R4-90-511-20



Cast Striker with Door Sensor Part number R4-90-804-10*

Cast Striker without Door Sensor Part number R4-90-800-10*

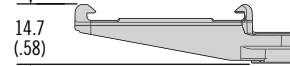
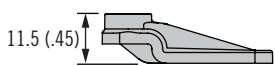
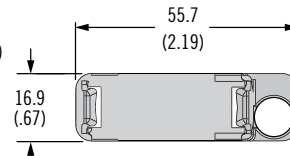
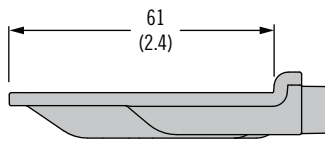
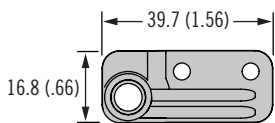


Cable Mounting Kit

Part number R4-EM-52 – Rivets included
Part number R4-EM-72 – Screws included

Part number R4-EM-87 – Rivets included

Part number R4-EM-952



	Striker Bolt		Cast Striker		Cable Mounting Kit			
	R4-90-121-XX	R4-90-511-20	R4-90-800-10	R4-90-804-10	R4-EM-52	R4-EM-72	R4-EM-87	R4-EM-952
R4-EM-9	✓		✓	✓				✓
R4-EM-8	✓		✓	✓				
R4-EM-5 & 7	✓		✓		✓		✓	
R4-EM-4 & 6		✓				✓		
R4-EM-1 & 2	✓		✓		✓		✓	

Material and Finish

Striker bolts: Steel, zinc plated

Cast strikers: Zinc alloy

Cable mounting kits: Glass-filled nylon, black

*Note: Latch and striker installation details can be found on the latch trade drawing at www.southco.com.