



R4-EM 5 & 7 Series Electronic Rotary Latch

Sealed motor · Stainless steel housing option

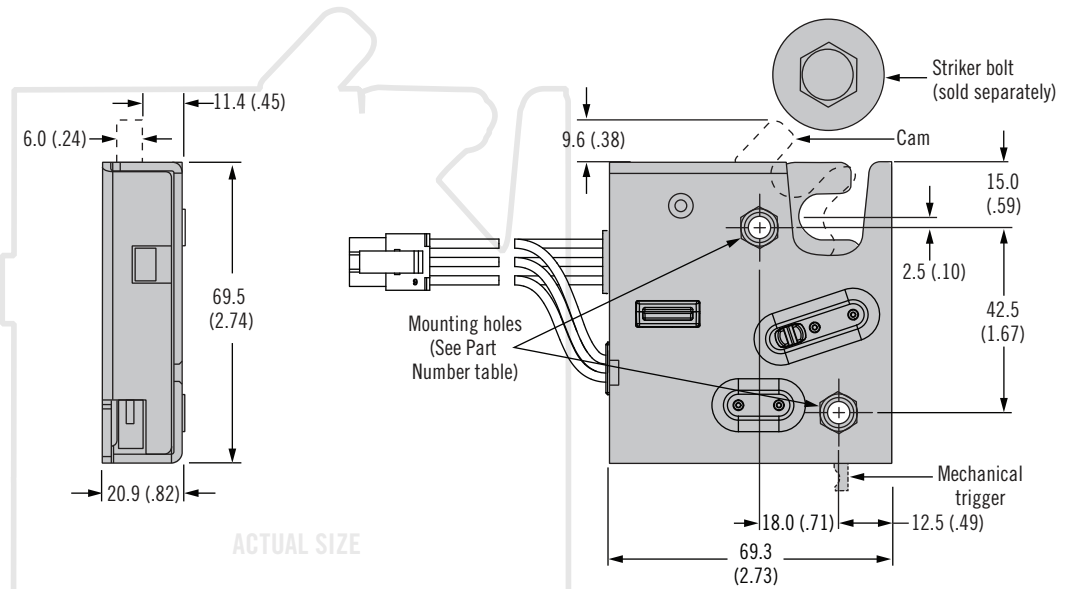
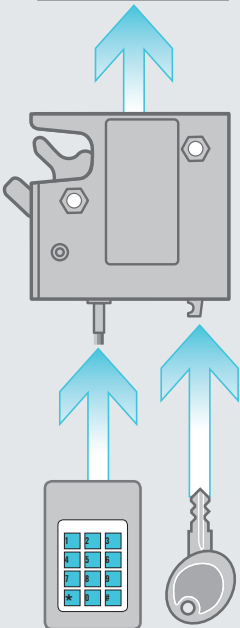
Electronic access with internal motor control

- Motor actuator sealed against water and dust ingress to IP56
- Corrosion resistant plated-steel and stainless steel options
- Push-to-close, electronic release
- Versatile rotary mechanism
- Concealed latching
- Microprocessor control
- Auto or delayed relock functionality
- Minimal power draw
- Optional internal micro-switch for latch status
- Simple mechanical over-ride

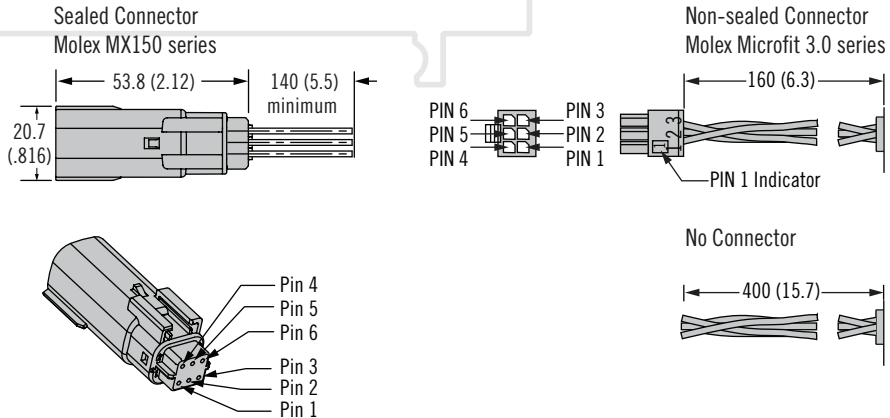


12V

24V



Latch Wiring Connections



Part Number Selection

R4 - EM - T B A - 1 S C - P M

- T Trigger Style**
 - 5 Auto re-lock, side trigger, with kick-out spring
 - 7 Delayed re-lock, side trigger, with light spring
 - R5 Auto re-lock, rear trigger, with kick-out spring
 - R7 Delayed re-lock, rear trigger, with light spring
- B Base Mounting Style**
 - 1 1/4-20 thread
 - 2 M6 thread
 - 3 Ø 7.0 (.27) thru hole
- A Alternate Configurations**
 - None Standard configuration
 - 2 Strong (kick out) cam spring (delayed relock)
 - 3 High strength cam (steel cam only) **M** = none only
 - 4 High strength cam with strong (kick out) cam spring (delayed relock, steel cam only) **M** = none only
- M Material Options**
 - None Steel, zinc-nickel plated
 - B Stainless steel, passivated
 - A** = none or 2
- P Packaging Options**
 - None Individually packaged
 - 1 Bulk packaged
- C Connector Options**
 - 1 Non-sealed connector
 - 2 No connector (stripped and tinned)
 - 3 Sealed connector
- S Switch Options**
 - 3 No switch
 - 6 Internal latch status switch

Dimensions in millimeters (inch) unless otherwise stated

Other options available. For complete details on variety, part numbers, installation and specification, go to

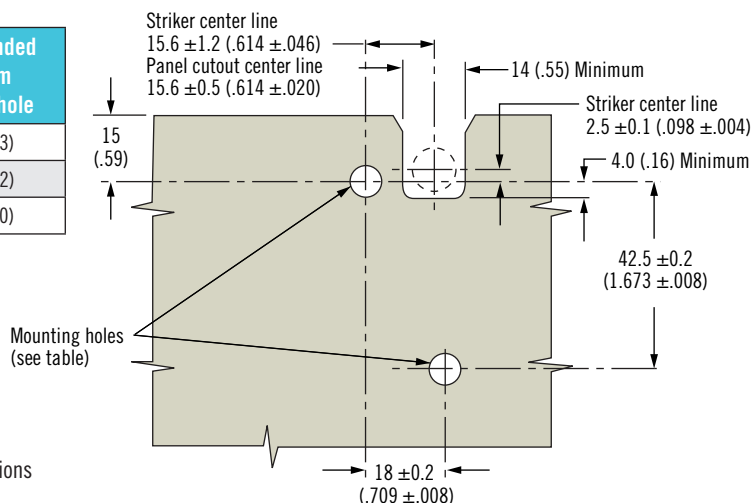


www.southco.com/R4-EM

Installation

Panel Preparation

Base Mounting Style	Recommended minimum mounting hole
1/4-20 thread	Ø 7.2 (.283)
M6 thread	Ø 6.9 (.272)
Thru hole	Ø 7.6 (.300)



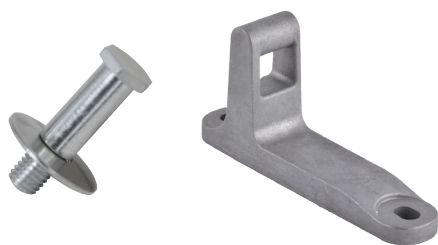
Operation

See page 34 for operating instructions

Accessories

Striker Bolt or Cast Striker

See page 35



Cable Mounting Kit

See page 35



Electronic Actuators

See page 42



Mechanical Actuators

See page 36



Cables

See page 272



Wiring/Junctions

See www.southco.com



Material & Finish

Mechanism

Housing, Cam, Trigger, Pins: Zinc

nickel plated steel or stainless steel

Springs: 300 Series stainless steel

Electronic Actuator

Housing: PC/ABS

Bellows, Wire seal: Silicone

Perimeter Seal: Buna

Cams: Acetal

Grommet: TPE

Electrical Specifications

Recommended Operating Voltage:

12 to 24 Volt DC

Typical Operating Current (average

at no load): Less than 600mA at

12 VDC

Input Signal Current Draw: 25mA

Maximum at 24 VDC

Micro-switch Rating: 3A Maximum

at 12VDC

Wire Color Code / Connector

Pin Assignment:

PIN 1: Brown: Ground (-)

PIN 2: Red: Power 12 to 24 Volts DC

PIN 3: Orange: Control Signal

12 to 24 Volts DC

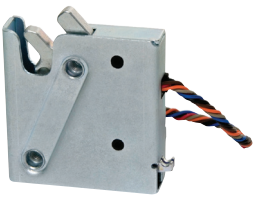
PIN 4: Black: Microswitch Common

PIN 5: Blue: Microswitch N.O.

Contact

PIN 6: Grey: Microswitch N.C.

Contact



R4-EM Electronic Rotary Latch

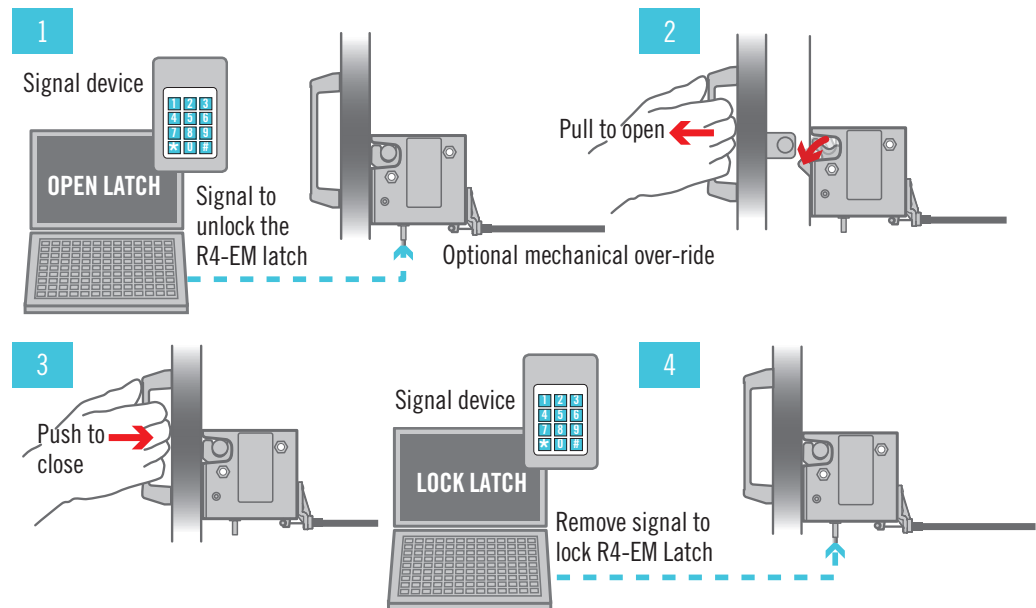
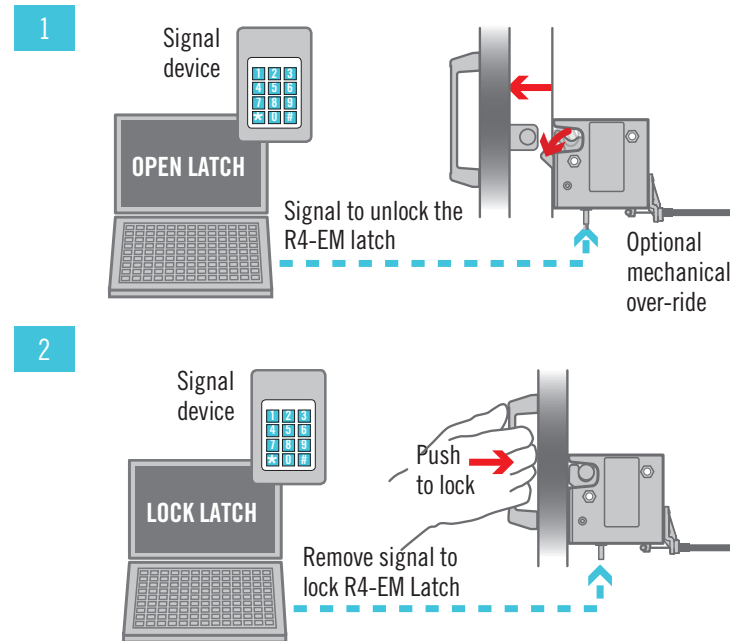
Operating instructions

Operation - Auto relock

1. The signal unlocks the R4-EM latch and releases the spring loaded cam which rotates out to push a lightweight door open. The mechanism will cycle through unlatched then re-latched state automatically, regardless of input signal on time.
2. Push door closed to engage striker after unlock time has expired. Striker will rotate cam to closed position.

Operation - Delayed relock

1. The signal unlocks the R4-EM latch leaving a biased closed door in the closed position. The unlock time is controlled by the access control device.
2. Manually pull door/striker free from R4-EM latch.
3. Manually push door closed. Striker will rotate cam to closed position, however latch will remain unlocked and can be re-opened as long as signal is present.
4. After accessing the door, the signal can be removed to re-lock the R4-EM. This can be done with the door in the open or closed position.



Other options available. For complete details on variety, part numbers, installation and specification, go to



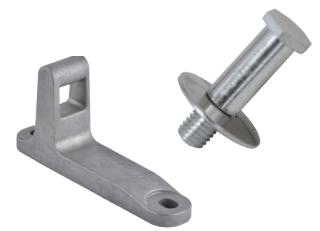
www.southco.com/R4-EM

Dimensions in millimeters (inch) unless otherwise stated

southco
CONNECT · CREATE · INNOVATE

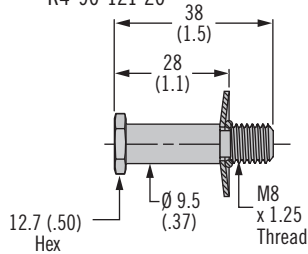
R4-EM Electronic Rotary Latch

Strikers - Cable mounting kits



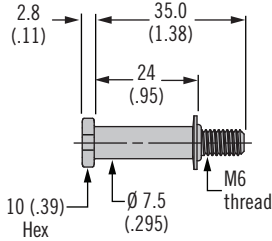
Striker Bolt - Large

Part number R4-90-121-10
R4-90-121-20



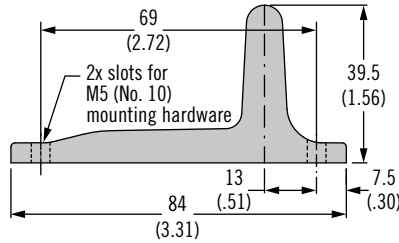
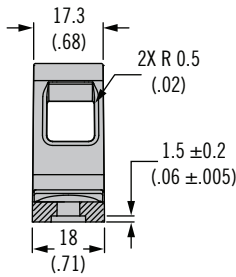
Striker Bolt - Small

Part number R4-90-511-20



Cast Striker with Door Sensor Part number R4-90-804-10*

Cast Striker without Door Sensor Part number R4-90-800-10*

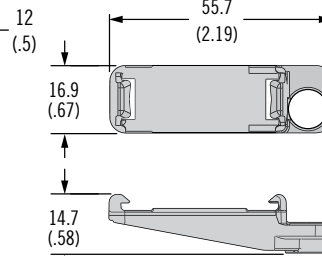
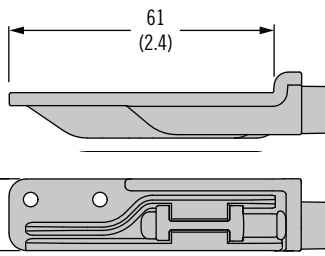
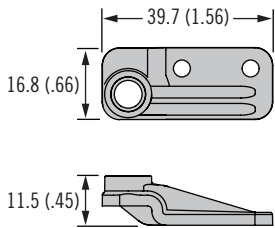


Cable Mounting Kit

Part number R4-EM-52 – Rivets included
Part number R4-EM-72 – Screws included

Part number R4-EM-87 – Rivets included

Part number R4-EM-952



	Striker Bolt		Cast Striker		Cable Mounting Kit			
	R4-90-121-XX	R4-90-511-20	R4-90-800-10	R4-90-804-10	R4-EM-52	R4-EM-72	R4-EM-87	R4-EM-952
R4-EM-9	✓		✓	✓				✓
R4-EM-8	✓		✓	✓				
R4-EM-5 & 7	✓		✓		✓		✓	
R4-EM-4 & 6		✓				✓		
R4-EM-1 & 2	✓		✓		✓		✓	

Material and Finish

Striker bolts: Steel, zinc plated

Cast strikers: Zinc alloy

Cable mounting kits: Glass-filled nylon, black

*Note: Latch and striker installation details can be found on the latch trade drawing at www.southco.com.