



R4-EM 4 & 6 Series Electronic Rotary Latch

Compact size · Lightweight

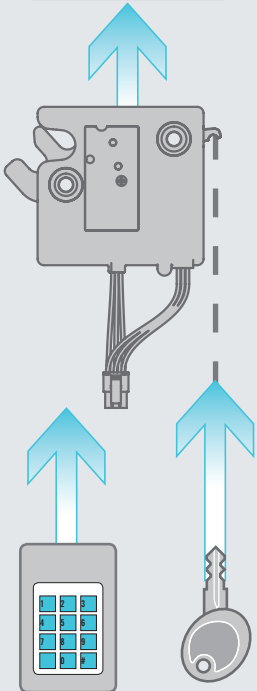
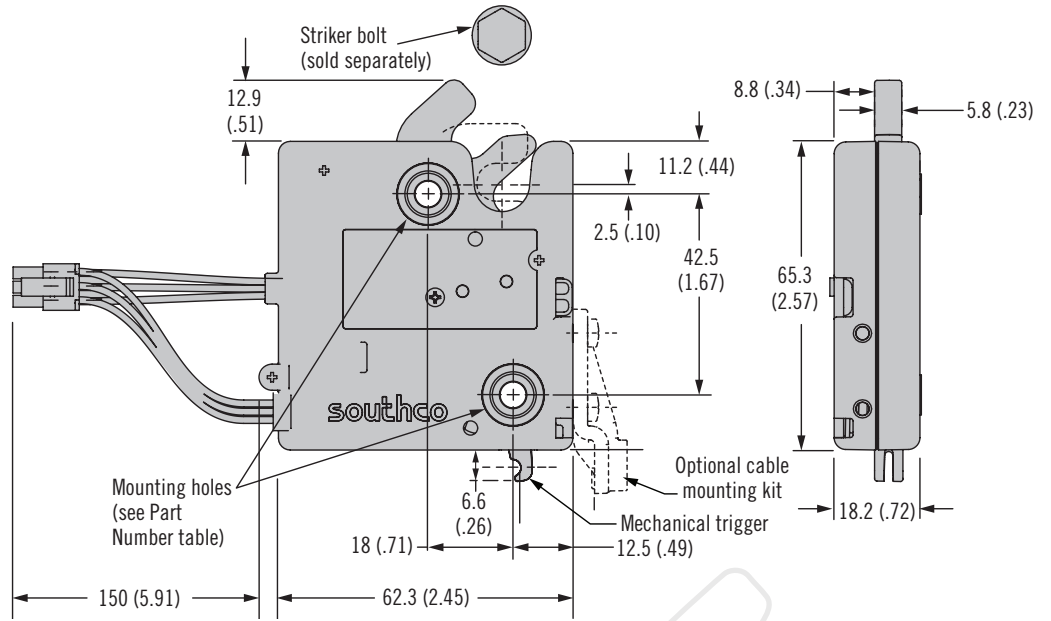
Electronic access with internal motor control

- Light weight construction
- Auto re-lock and delayed re-lock version
- Push-to-close, electronic release
- Versatile rotary mechanism
- Concealed latching
- Microprocessor control
- Minimal power draw
- Simple mechanical over-ride
- Optional internal microswitch for latch open/close output signal



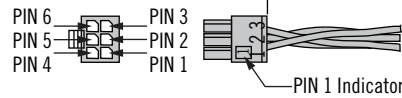
12V

24V

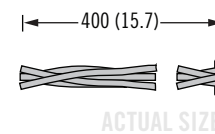


Latch Wiring Connections

With Connector
Molex Microfit 3.0 series



Without connector



Part Number Selection

R4 - EM - T B A - 1 S C - P

T Trigger Styles

- 4 Auto re-lock with kick-out spring
- 6 Delayed re-lock with light spring

B Base Mounting Style

- 3 Ø 5.5 (.22) thru hole
- 4 M5 thread
- 5 10-24 thread

A Alternate Configurations

- None Standard configuration
- 2 Strong (kick out) cam spring (delayed relock)

P Packaging Options

- None Individually packaged
- 1 Bulk packaged

C Connector Options

- 1 With connector
- 2 Without connector

S Switch Options

- 3 No switch
- 6 Internal latch status switch

Other options available. For complete details on variety, part numbers, installation and specification, go to



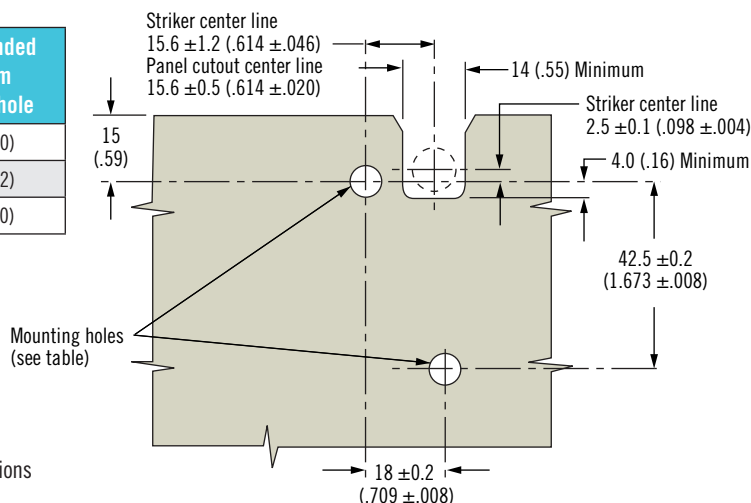
www.southco.com/R4-EM

Dimensions in millimeters (inch) unless otherwise stated

Installation

Panel Preparation

Base Mounting Style	Recommended minimum mounting hole
10-24 thread	Ø 5.6 (.220)
M5 thread	Ø 5.9 (.232)
Thru hole	Ø 6.1 (.240)



Operation

See page 34 for operating instructions

Accessories

Striker Bolt

See page 35



Cable Mounting Kit

See page 35



Material & Finish

Housings: PC/ABS
 Cam: Glass-filled nylon
 Trigger: PBT
 Springs: Stainless Steel
 Pins: Steel, zinc plated

Electrical Specifications

Recommended Operating Voltage:
 12 to 24 VDC
 Typical Operating Current (average at no load): Less than 600mA at 12VDC
 Input Signal Current Draw: 25mA Maximum
 **Optional microswitch closes upon latch closure
 Microswitch Rating: 3A Max at 12 VDC

Wire Color Code / Connector Pin Assignment:

PIN 1: Brown: Ground (-)
 PIN 2: Red: Power 8 to 26 Volts DC
 PIN 3: Orange: Control Signal 8 to 26 Volts DC
 PIN 4: Black: Microswitch Common Contact
 PIN 5: Blue: Microswitch N.O. Contact
 PIN 6: Grey: Microswitch N.C. Contact

Electronic Actuators

See page 42



Mechanical Actuators

See page 36



Cables

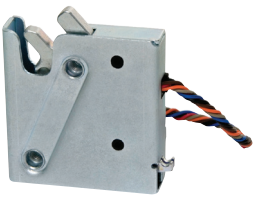
See page 272



Wiring/Junctions

See www.southco.com





R4-EM Electronic Rotary Latch

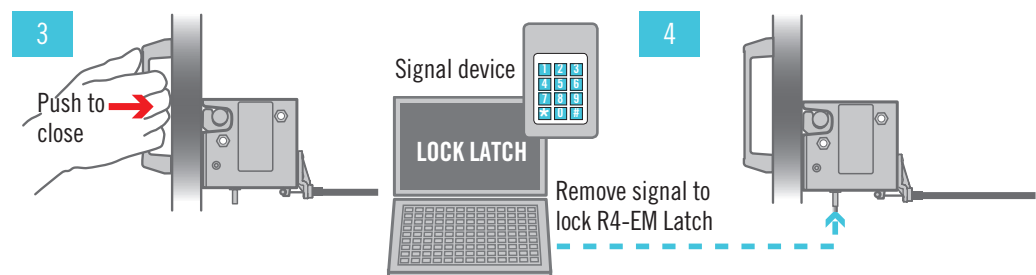
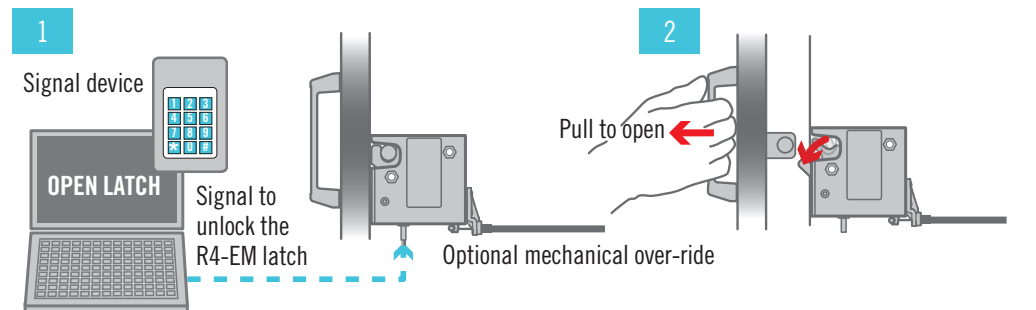
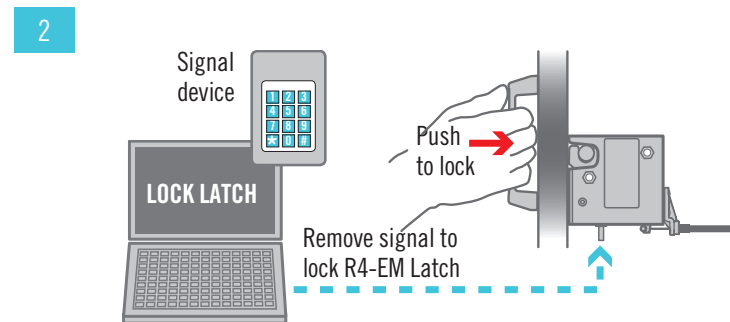
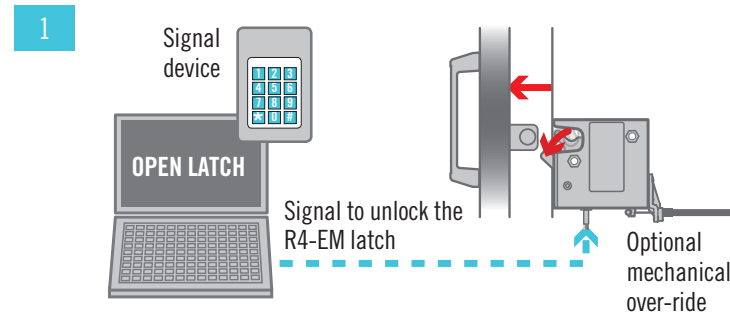
Operating instructions

Operation - Auto relock

1. The signal unlocks the R4-EM latch and releases the spring loaded cam which rotates out to push a lightweight door open. The mechanism will cycle through unlatched then re-latched state automatically, regardless of input signal on time.
2. Push door closed to engage striker after unlock time has expired. Striker will rotate cam to closed position.

Operation - Delayed relock

1. The signal unlocks the R4-EM latch leaving a biased closed door in the closed position. The unlock time is controlled by the access control device.
2. Manually pull door/striker free from R4-EM latch.
3. Manually push door closed. Striker will rotate cam to closed position, however latch will remain unlocked and can be re-opened as long as signal is present.
4. After accessing the door, the signal can be removed to re-lock the R4-EM. This can be done with the door in the open or closed position.



Other options available. For complete details on variety, part numbers, installation and specification, go to



www.southco.com/R4-EM

Dimensions in millimeters (inch) unless otherwise stated

southco[®]
CONNECT · CREATE · INNOVATE

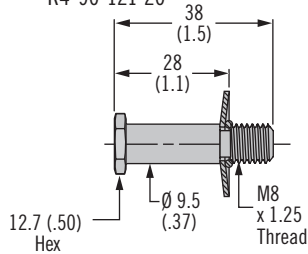
R4-EM Electronic Rotary Latch

Strikers - Cable mounting kits



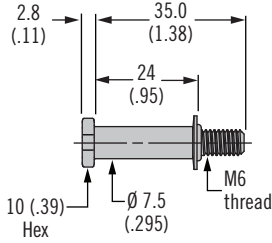
Striker Bolt - Large

Part number R4-90-121-10
R4-90-121-20



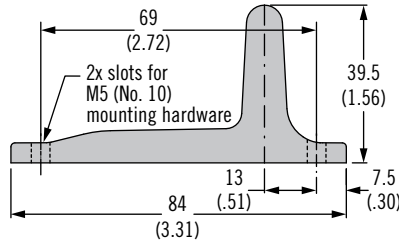
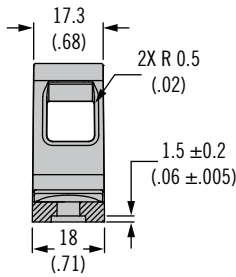
Striker Bolt - Small

Part number R4-90-511-20



Cast Striker with Door Sensor Part number R4-90-804-10*

Cast Striker without Door Sensor Part number R4-90-800-10*

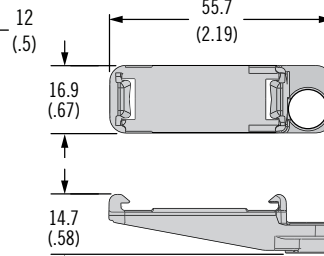
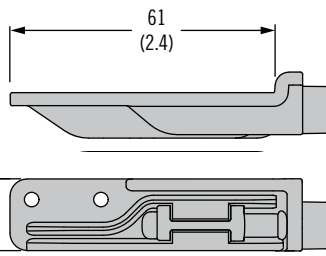
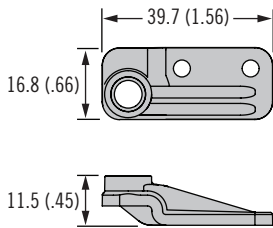


Cable Mounting Kit

Part number R4-EM-52 – Rivets included
Part number R4-EM-72 – Screws included

Part number R4-EM-87 – Rivets included

Part number R4-EM-952



	Striker Bolt		Cast Striker		Cable Mounting Kit			
	R4-90-121-XX	R4-90-511-20	R4-90-800-10	R4-90-804-10	R4-EM-52	R4-EM-72	R4-EM-87	R4-EM-952
R4-EM-9	✓		✓	✓				✓
R4-EM-8	✓		✓	✓				
R4-EM-5 & 7	✓		✓		✓		✓	
R4-EM-4 & 6		✓				✓		
R4-EM-1 & 2	✓		✓		✓		✓	

Material and Finish

Striker bolts: Steel, zinc plated

Cast strikers: Zinc alloy

Cable mounting kits: Glass-filled nylon, black

***Note:** Latch and striker installation details can be found on the latch trade drawing at www.southco.com.