

ST-12C Hinge

Position control · Constant torque · Counterbalanced

- Counterbalance spring allows easy opening
- Space efficient design provides high torque in minimum space
- Constant torque, never needs adjusting

Material and Finish

Zinc alloy and steel, natural

Performance Details

Radial load:

Maximum static load:
1000 N (225 lbf)

Axial load:

Maximum static load:
1200 N (270 lbf)

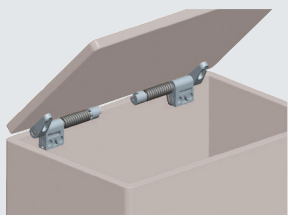
Cycle performance:

20,000 cycles within ±20% of static torque specification

Installation Notes

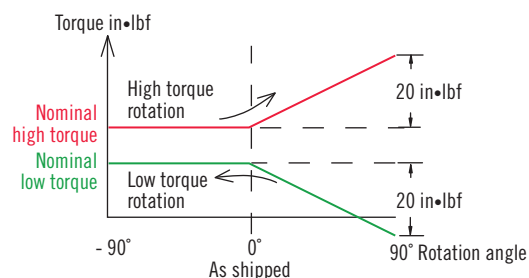
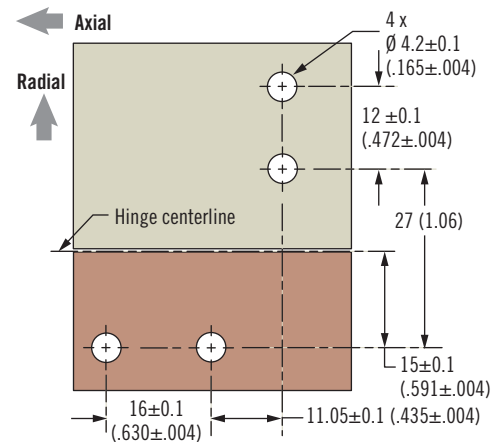
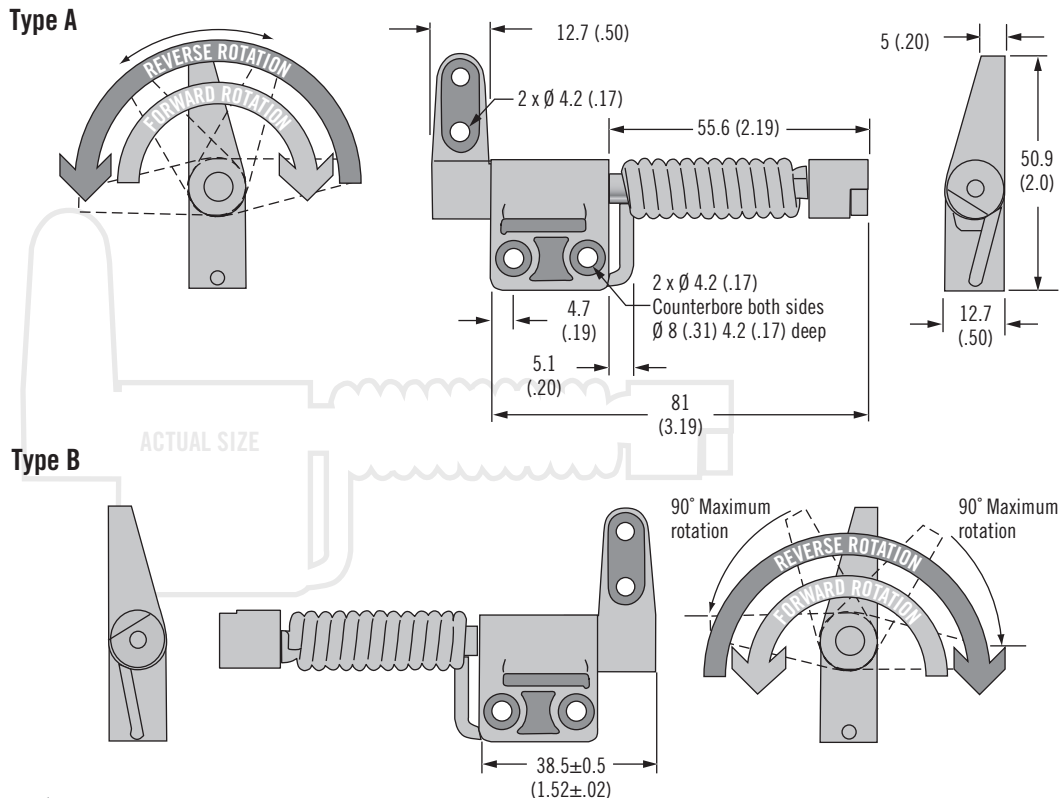
1. Install hinge using M4 (No. 8) socket head cap screw.
2. For proper function, assembly must include (1) type A and (1) type B hinge.
3. Application must limit rotation ±90° from shipping position.

Application



Part Number

See table



Part Number		Static Torque N·m (in·lbf)	
Type A	Type B	Forward N·m (in·lbf)	Reverse N·m (in·lbf)
ST-12C-200FA1-33	ST-12C-200FB1-33	2.3 (20)	1.5 (13.6)
ST-12C-280FA1-33	ST-12C-280FB1-33	3.2 (28)	2.2 (19.1)
ST-12C-360FA1-33	ST-12C-360FB1-33	4.1 (36)	2.8 (24.6)
ST-12C-440FA1-33	ST-12C-440FB1-33	5 (44)	3.4 (30)
ST-12C-200RA1-33	ST-12C-200RB1-33	1.5 (13.6)	2.3 (20)
ST-12C-280RA1-33	ST-12C-280RB1-33	2.2 (19.1)	3.2 (28)
ST-12C-360RA1-33	ST-12C-360RB1-33	2.8 (24.6)	4.1 (36)
ST-12C-440RA1-33	ST-12C-440RB1-33	3.4 (30)	5 (44)

Other options available. For complete details on variety, part numbers, installation and specification, go to



Dimensions in millimeters (inch) unless otherwise stated