

POSITIVE LOCKING CLAMPS

- Positive safety lock, in clamped and open position
- Unique mechanical locking mechanism
- Ideal for applications where the toggle clamp is used upside down or inverted
- Stainless steel rivets and hardened bushes for longer life

POSITIVE LOCKING CLAMPS

V250 SERIES

MODEL V250/2BBLC



Arm:
The spindle position is adjustable along the arm.

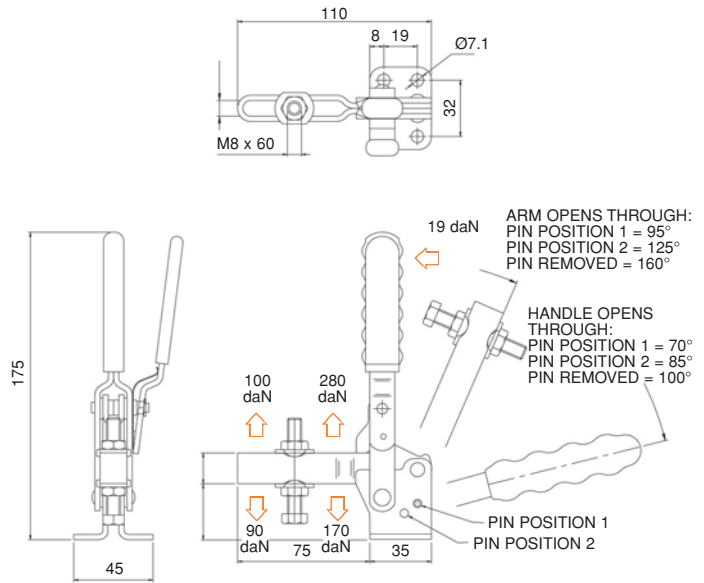
Base:
Flanged.

Nominal Holding Force:
250 daN

Weight:
0.38 Kg

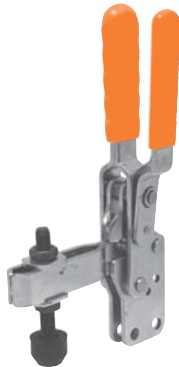
Supplied complete with:
MB0860 Setscrew & nuts.
FW08/15 Flanged washers.

See "Accessories" for other items.



V250 SERIES

MODEL V250/1BBLC



Arm:
The spindle position is adjustable along the arm.

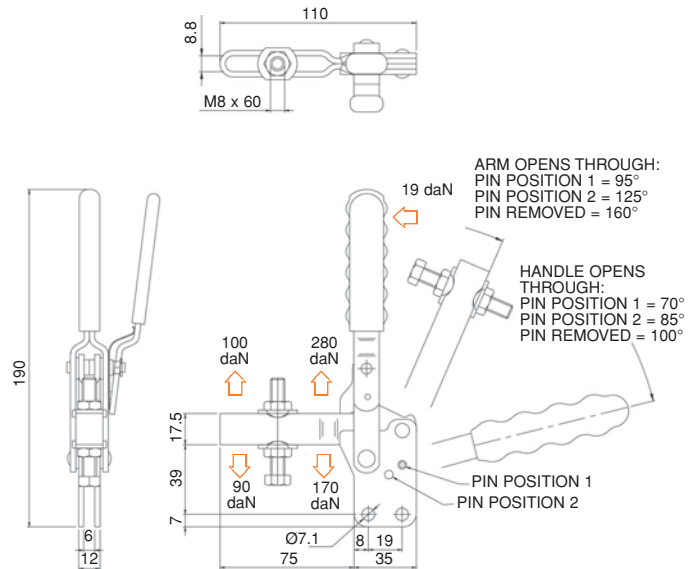
Base:
Straight.

Nominal Holding Force:
250 daN

Weight:
0.38 Kg

Supplied complete with:
MB0860 Setscrew & nuts.
FW08/15 Flanged washers.

See "Accessories" for other items.



V350 SERIES

MODEL V350/2BBLC



Arm:
The spindle position is adjustable along the arm.

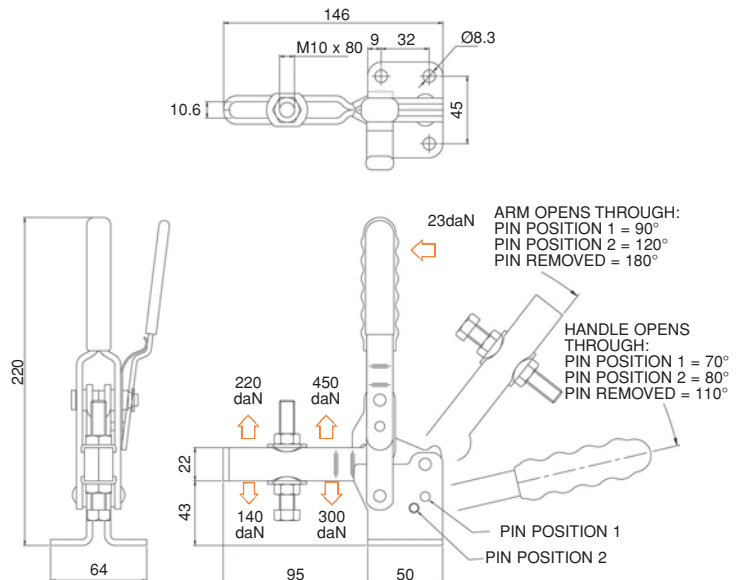
Base:
Flanged.

Nominal Holding Force:
350 daN

Weight:
0.8 Kg

Supplied complete with:
MB1080 Setscrew & nuts.
FW10/20 Flanged washers.

See "Accessories" for other items.



POSITIVE LOCKING CLAMPS

V350 SERIES
MODEL V350/1BBLC



Arm:
The spindle position is adjustable along the arm.

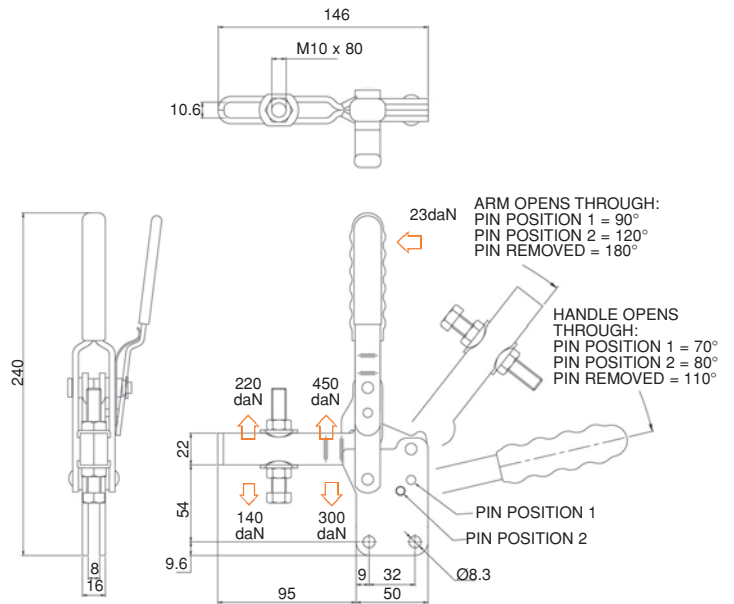
Base:
Straight.

Nominal Holding Force:
350 daN

Weight:
0.8 Kg

Supplied complete with:
MB1080 Setscrew & nuts.
FW10/20 Flanged washers.

See "Accessories" for other items.



V250 SERIES
MODEL V250/1BLC



Arm:
The spindle position is adjustable along the length of the arm.

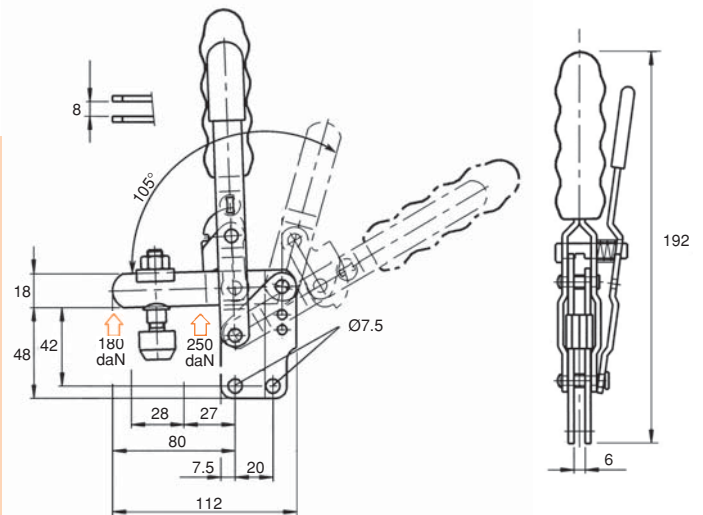
Base:
Straight.

Nominal Holding Force:
250 daN

Weight:
0.47 Kg

Supplied complete with:
Zinc plated screw, nut, washers and neoprene cover.

See "Accessories" for other items.



V250 SERIES
MODEL V250/2BLC



Arm:
The spindle position is adjustable along the length of the arm.

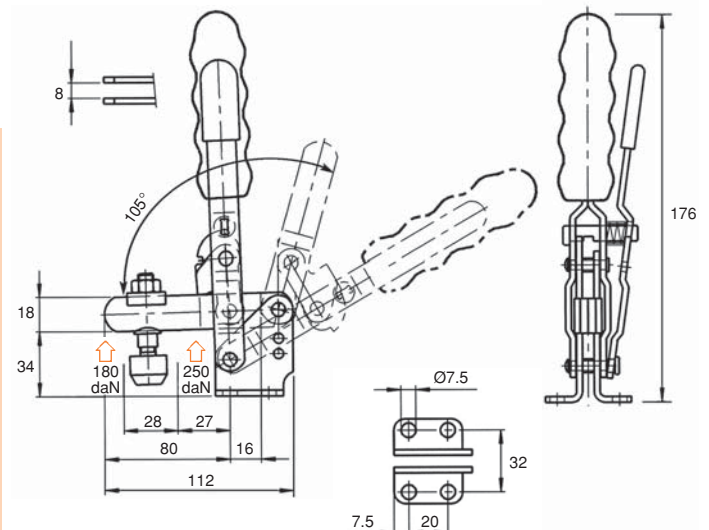
Base:
Flanged.

Nominal Holding Force:
250 daN

Weight:
0.47 Kg

Supplied complete with:
Zinc plated screw, nut, washers and neoprene cover.

See "Accessories" for other items.



POSITIVE LOCKING CLAMPS

V250 SERIES

MODEL V250/3BLC



Arm:
The spindle position is adjustable along the length of the arm.

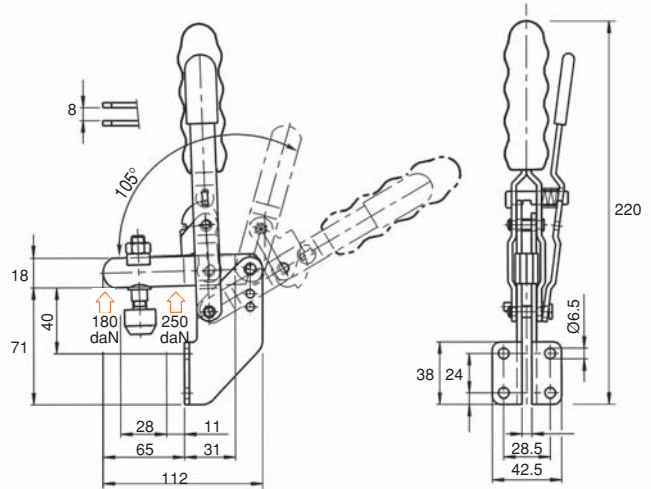
Base:
Flanged.

Nominal Holding Force:
250 daN

Weight:
0.535 Kg

Supplied complete with:
Zinc plated screw, nut, washers and neoprene cover.

See "Accessories" for other items.



V350 SERIES

MODEL V350/1BLC



Arm:
The spindle position is adjustable along the length of the arm.

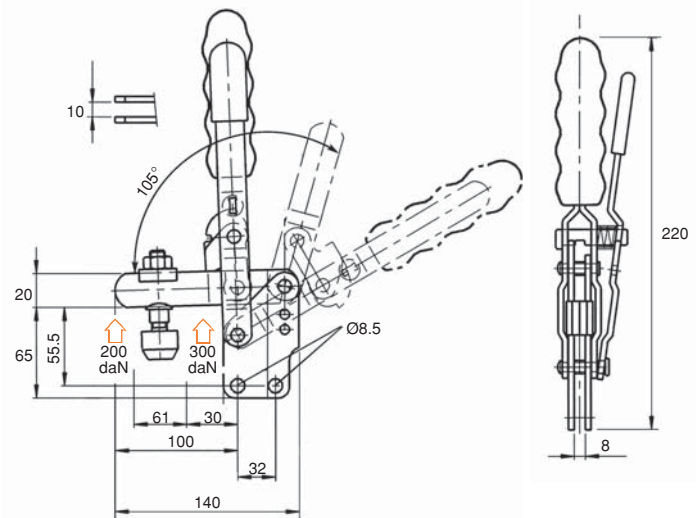
Base:
Straight.

Nominal Holding Force:
350 daN

Weight:
0.69 Kg

Supplied complete with:
Zinc plated screw, nut, washers and neoprene cover.

See "Accessories" for other items.



V350 SERIES

MODEL V350/2BLC



Arm:
The spindle position is adjustable along the length of the arm.

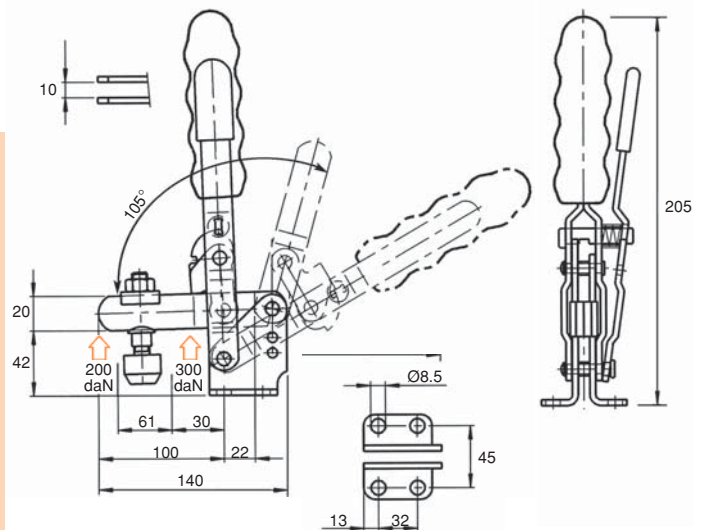
Base:
Flanged.

Nominal Holding Force:
350 daN

Weight:
0.69 Kg

Supplied complete with:
Zinc plated screw, nut, washers and neoprene cover.

See "Accessories" for other items.



POSITIVE LOCKING CLAMPS

H350 SERIES

MODEL H350/1BLC



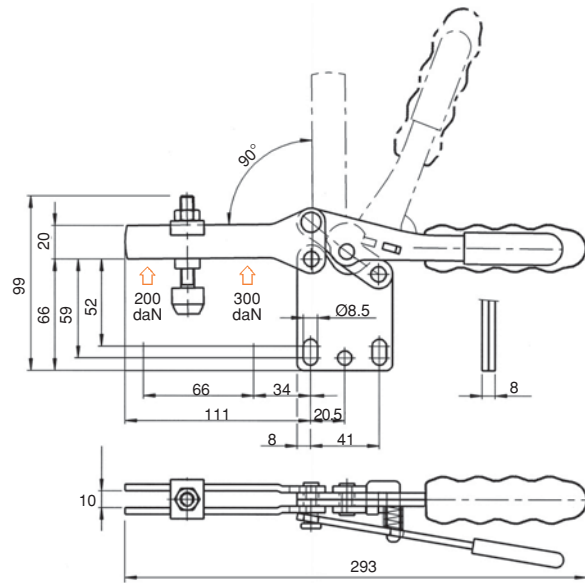
Arm:
The spindle position is adjustable along the length of the arm.

Base:
Straight.

Nominal Holding Force:
350 daN

Weight:
0.8 Kg

Supplied complete with:
Zinc plated screw, nut, washers and neoprene cover.
See "Accessories" for other items.



H350 SERIES

MODEL H350/2BLC



Arm:
The spindle position is adjustable along the length of the arm.

Base:
Flanged.

Nominal Holding Force:
350 daN

Weight:
0.8 Kg

Supplied complete with:
Zinc plated screw, nut, washers and neoprene cover.
See "Accessories" for other items.

