



SMALL DIFFERENTIAL FRICTION PIN HINGES B

59-7-5009

Small-sized differential friction pin hinges to hold a door or lid in position.

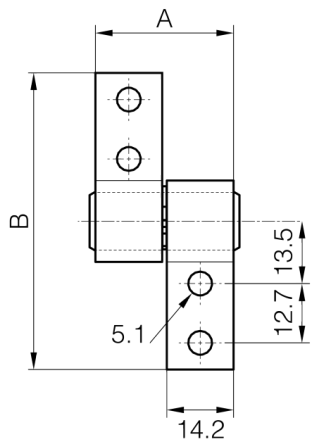
Cycle life: 30 000 cycles.

360° rotation possible.

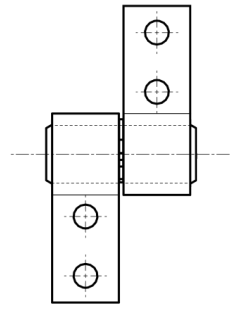
The highest friction torque is obtained during CCW rotation.

Operating temperature: -20°C / +70°C.

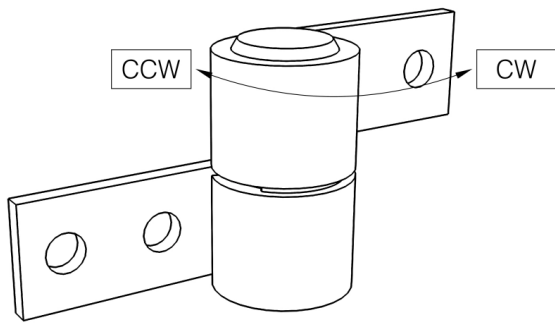
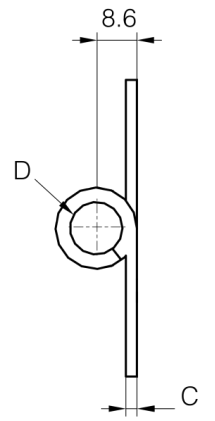
Torque	3.9 - 6 N.m
Material	steel
Finish	black coated
Note	type 1
A (length)	29.5 mm
D (pin diameter)	17.3 mm
B (width)	63.5 mm
Weight (g)	67 g
C	2.4 mm
Nouvelle référence	NEW



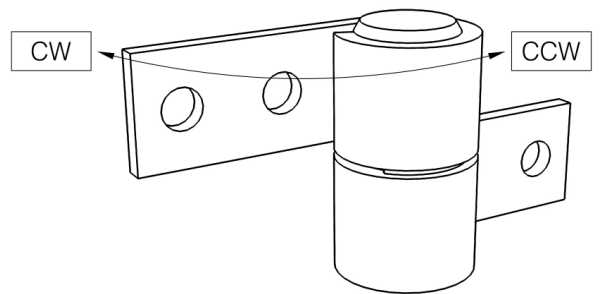
Type 1



Type 2



Type 1



Type 2