



SMALL DIFFERENTIAL FRICTION PIN HINGES B

59-7-5007

Small-sized differential friction pin hinges to hold a door or lid in position.

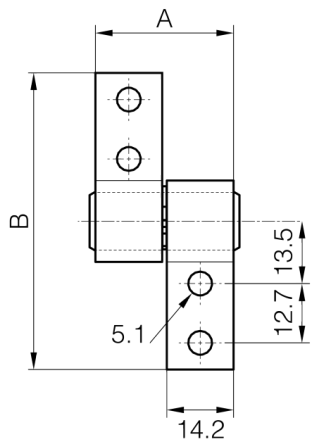
Cycle life: 30 000 cycles.

360° rotation possible.

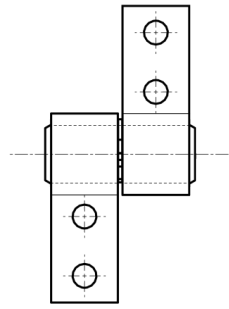
The highest friction torque is obtained during CCW rotation.

Operating temperature: -20°C / +70°C.

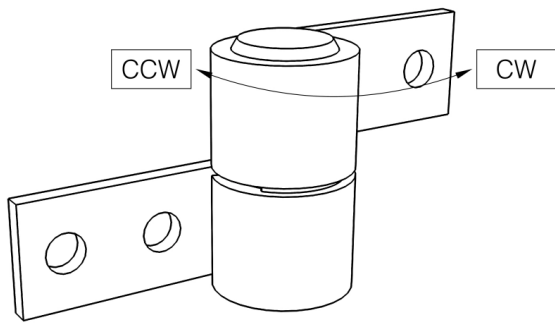
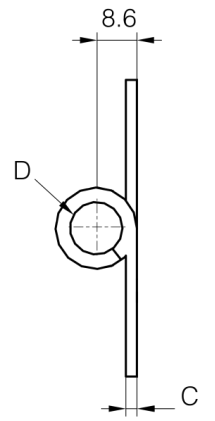
| | |
|--------------------|--------------|
| Material | steel |
| Finish | black coated |
| Note | type 1 |
| Torque | 2.6 - 4 N.m |
| A (length) | 29.5 mm |
| D (pin diameter) | 17.2 mm |
| B (width) | 63.5 mm |
| Weight (g) | 67 g |
| C | 2.4 mm |
| Nouvelle référence | NEW |



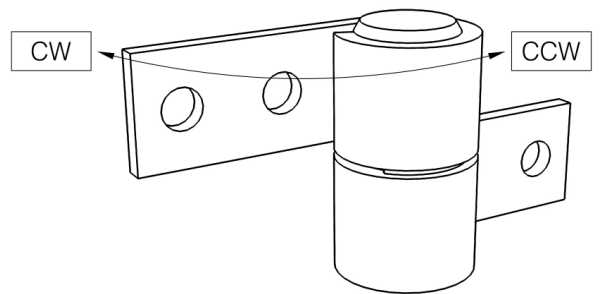
Type 1



Type 2



Type 1



Type 2