



SMALL DIFFERENTIAL FRICTION PIN HINGES A

59-7-2001

Small-sized differential friction pin hinges to hold a door or lid in position.

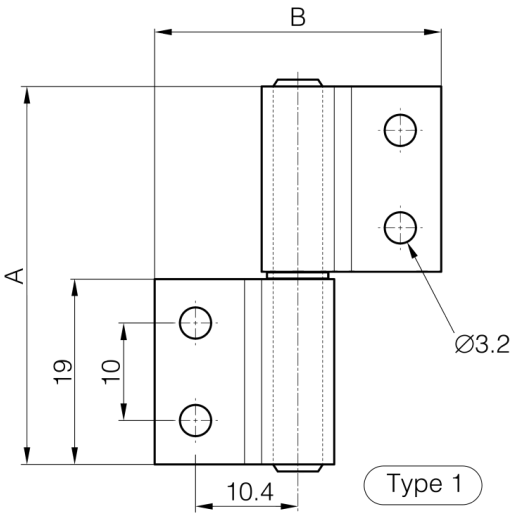
Cycle life: 30 000 cycles.

360° rotation possible.

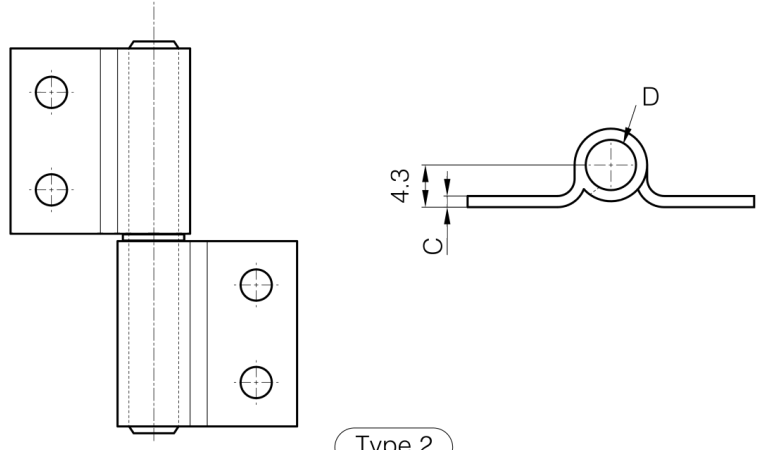
The highest friction torque is obtained during CW rotation.

Operating temperature: -20°C / +70°C.

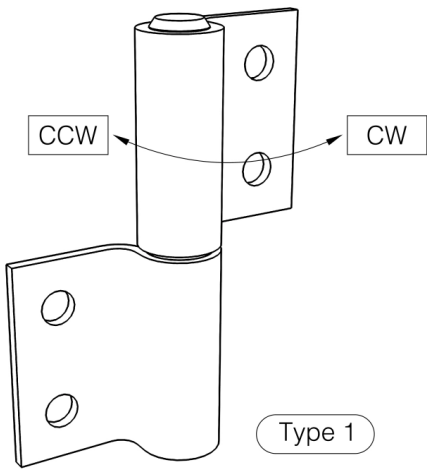
Material	steel
Finish	black coated
Note	type 1
Weight (g)	17 g
A (length)	38.6 mm
D (pin diameter)	5.3 mm
Torque	1.02 - 1.47 N.m
C	1.15 mm
B (width)	29.5 mm
Nouvelle référence	NEW



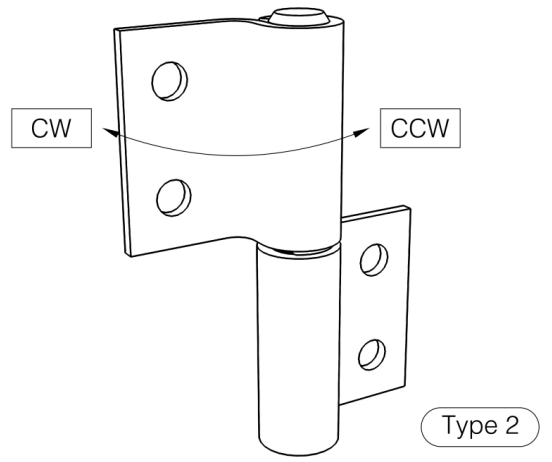
Type 1



Type 2



Type 1



Type 2