

## Taper cleaners

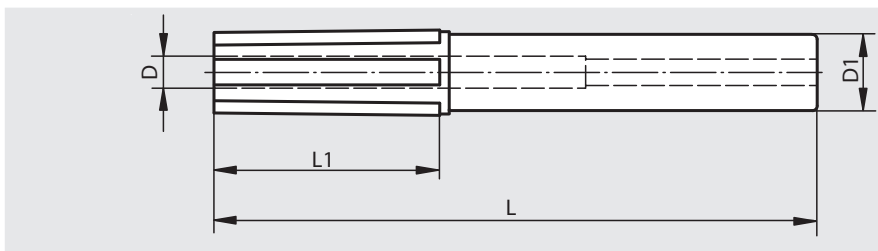
for Morse tapers



**Material:**  
Plastic, felt facing.

**Sample order:**  
nlm 96630-001

**Note:**  
For cleaning Morse taper tool holders. The taper cleaner consists of a plastic body with form retentive felt facing. No abrasive particles remain in the felt material, dirt particles collect in the large gaps between the felt strips.



Order No.	Size	D	D1	L	L1
96630-001	MK 1	-	22	136	59
96630-002	MK 2	10	24	190	71
96630-003	MK 3	13	24	196	87
96630-004	MK 4	17	24	222	110
96630-005	MK 5	21	30	258	136
96630-006	MK 6	29	34	315	195

## Taper cleaners

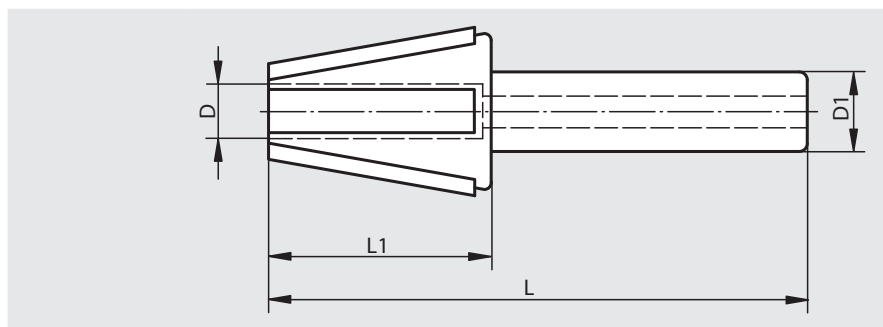
for short tapers



**Material:**  
Plastic, felt facing.

**Sample order:**  
nlm 96632-020

**Note:**  
For cleaning short taper tool holders. The taper cleaner consists of a plastic body with form retentive felt facing. No abrasive particles remain in the felt material, dirt particles collect in the large gaps between the felt strips.



Order No.	Size	D	D1	L	L1
96632-020	SK 20	7,5	15	102	39
96632-030	SK 30	9,5	24	168	55
96632-040	SK 40	16	24	188	73
96632-045	SK 45	21	26	215	96
96632-050	SK 50	26	30	240	116