

Edge protection profiles

with integrated steel wire core



Material:

Edge protection EPDM or PVC.
Seal EPDM foam rubber.

Version:

black.

Sample order:

nIm 96521-015X2000
(include length L)

Note:

In addition to edge protection, these profiles also provide a sealing function against moisture, dust and dirt for other elements such as doors, hatches or housing covers. Depending on the shape of the foam rubber profile, they can be used in a wide range of applications.

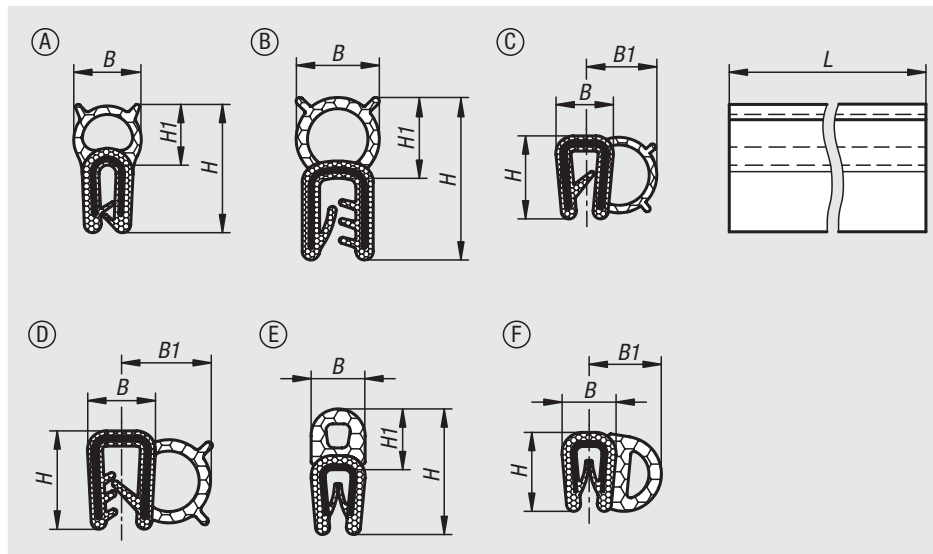
We recommend compressing the sealing lip of the edge protection by max.50%.
To ensure the best possible seal, the lips should be compressed by 30-40%.
These specifications are recommendations; in practice, they are individually dependent on the application and the parts used.
The sizes edge protection profiles made from EPDM are UL50, UL50E and UL94HB certified.

Assembly:

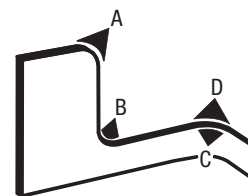
Easy, quick and smooth assembly. The edge protection profile is easy to push on by hand and remains in place. No adhesive or fastening material required.

On request:

Other lengths.



Minimum bend radius:



Order No.	Form	Main material	L	Clamping range mm	Minimum bend radius mm	B	B1	H	H1
96521-015X	A	EPDM	2000/5000/10000/20000/50000	0,5-1,5	A=50 B=180 C=25 D=25	8	-	15	7
96521-122X	B	EPDM	2000/5000/10000/20000/50000	1,0-3,0	A=50 B=180 C=30 D=30	11	-	22	11
96521-211X	C	EPDM	2000/5000/10000/20000/50000	1,0-2,0	A=100 B=200 C=100 D=60	8	9	11	-
96521-313X	D	EPDM	2000/5000/10000/20000/50000	2,0	A=50 B=20 C=120 D=40	9	12	13	-
96521-415X	E	PVC	2000/5000/10000/20000/50000	1,0-2,0	A=20 B=40 C=10 D=10	6,5	-	15	7
96521-510X	F	PVC	2000/5000/10000/20000/50000	1,0-2,0	A=20 B=15 C=30 D=30	7	9	10	-

41000
80000
82000
83000
84000
85000
95000
96000
97000
A-Z