

# Edge protection profiles

with steel retaining strip



**Material:**  
PVC.

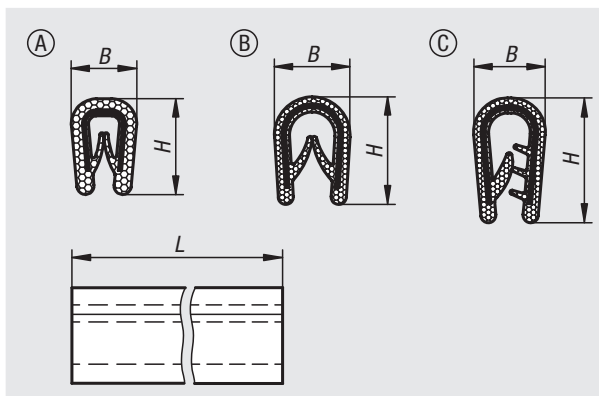
**Version:**  
black.

**Sample order:**  
nlm 96520-010X2000  
(include length L)

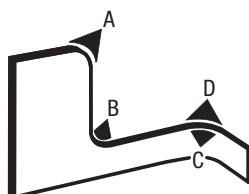
**Note:**  
The edge protection profiles are used to cover and decorate the sharp edges of cut plate so that no additional processing is required.

**Assembly:**  
Easy, quick and smooth assembly. The edge protection profile is easy to push on by hand, and remains in place even on radii or bends. No adhesive or fastening material required.

**On request:**  
Other lengths.



Minimum bend radius:



Order No.	Form	L	Clamping range mm	Minimum bend radius mm	B	H
96520-010X	A	2000/5000/10000/20000/50000	1,0-2,0	A=15 B=15 C=10 D=10	6,5	10
96520-114X	B	2000/5000/10000/20000/50000	1,0-4,0	A=30 B=20 C=20 D=20	10	14,5
96520-217X	C	2000/5000/10000/20000/50000	4,0-6,0	A=50 B=40 C=30 D=30	11	15,8