

High pressure nozzles LOC-LINE®


Material:

Polyoxymethylene (POM).
Nozzle stainless steel.

Version:

Colour blue/orange.

Sample order:

nIm 96205-11816064
(include length L e.g. 064 for L = 6,4 mm)

Note:

The extremely compact design makes this high-pressure nozzle ideal for use where space is at a premium. When screwed in position, the nozzle can be adjusted using a pin and retains its positional stability. Additional security is not required. It can be rotated 360° and withstands working pressure ranges of up to 70 bar.

Resistant to: acetone, alcohol, ethyl, grease, oil, commercially available dishwashing detergent, petrol, paint, solvents, sodium hydroxide.

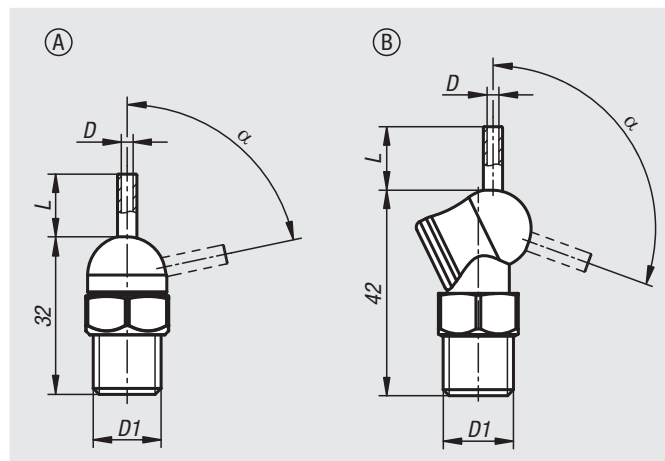
Not resistant to: chlorine, acids, ammonium hydroxide, strong bases, hypochlorite ionic solutions, sodium hypochlorite.

Form A: nozzle pivot range up to 72°

Form B: nozzle pivot range up to 110° (for applications where the jet is also required below the screw-on level)

Temperature range:

Maximum temperature range 50 °C.



Order No.	Form	D	D1	L	α
96205-11816***	A	1,6	R1/8	-/6,4/12,7/31,8	72°
96205-11822***	A	2,2	R1/8	-/6,4/12,7/31,8	72°
96205-11830***	A	3	R1/8	-/6,4/12,7/31,8	72°
96205-11841***	A	4,1	R1/8	-/6,4/12,7/31,8	70°
96205-11416***	A	1,6	R1/4	-/6,4/12,7/31,8	72°
96205-11422***	A	2,2	R1/4	-/6,4/12,7/31,8	72°
96205-11430***	A	3	R1/4	-/6,4/12,7/31,8	72°
96205-11441***	A	4,1	R1/4	-/6,4/12,7/31,8	70°
96205-21816***	B	1,6	R1/8	-/6,4/12,7/31,8	110°
96205-21822***	B	2,2	R1/8	-/6,4/12,7/31,8	110°
96205-21830***	B	3	R1/8	-/6,4/12,7/31,8	110°
96205-21841***	B	4,1	R1/8	-/6,4/12,7/31,8	102°
96205-21416***	B	1,6	R1/4	-/6,4/12,7/31,8	110°
96205-21422***	B	2,2	R1/4	-/6,4/12,7/31,8	110°
96205-21430***	B	3	R1/4	-/6,4/12,7/31,8	110°
96205-21441***	B	4,1	R1/4	-/6,4/12,7/31,8	102°