

# Suction hoses LOC-LINE® Flexi 75

antistatic



**Material:**

Electrically conductive polyoxymethylene (POM).

**Version:**

Flexible hose, black.  
Accessories, black.

**Sample order:**

nIm 96203-75300

**Note:**

Flexible hose for extracting swarf, smoke, lubricant mist, steam, gases and other media; can be connected to a central extraction system or an industrial vacuum cleaner. It can be extended and shortened as needed. Free hanging lengths of up to 100 cm are possible without the need for support; 360° loops can be formed with a radius of 150 mm. Precise adjustment, vibration resistant, position reliability. Combinable with nozzles and accessories as required.

Resistant to: acids below 65 °C, alcohols, aromatic solvents, petrol, grease, hydrocarbons, oil, saline solutions.

Not resistant to: chlorine, acetone, chlorinated solvents, strong bases, ethyl acetate, water above 65 °C.

**Antistatic and electric properties:**

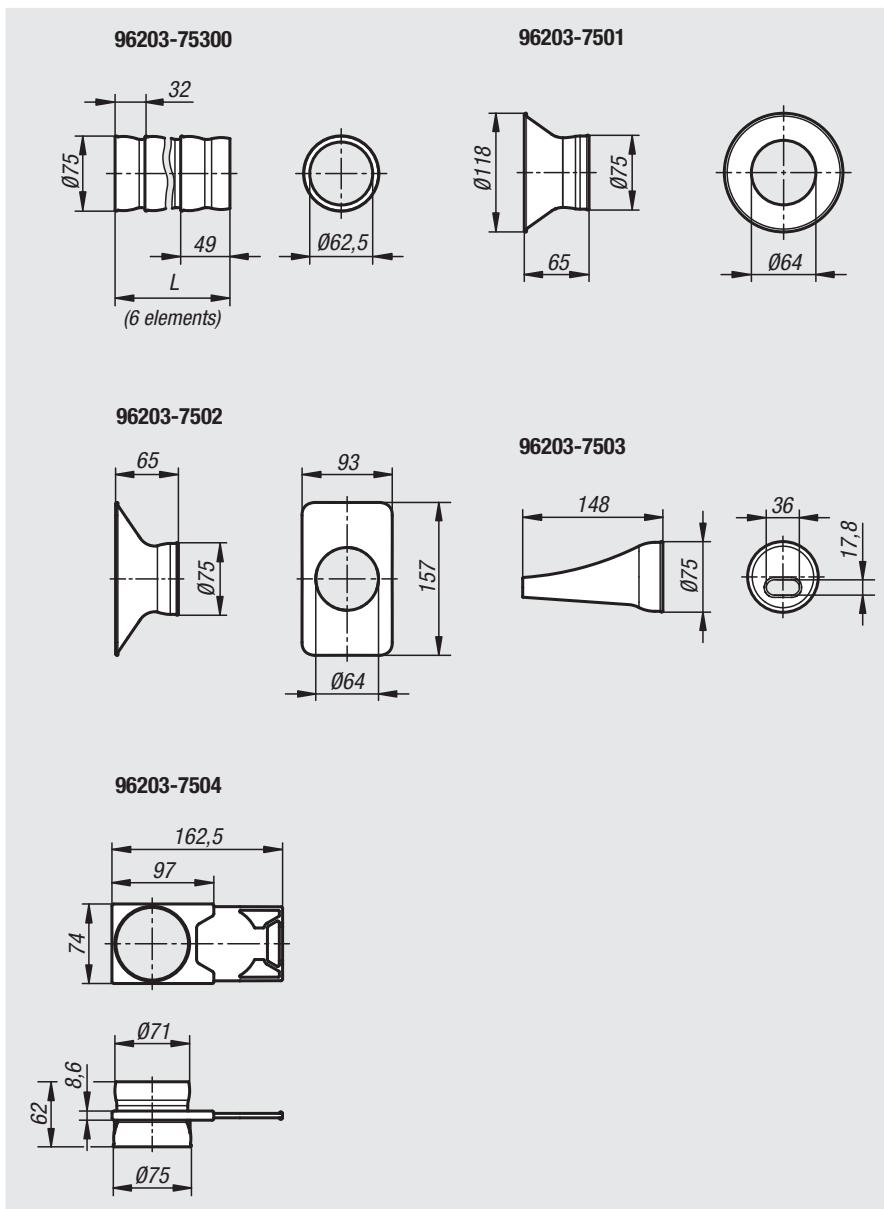
specific surface resistivity: 1000 E3 Ω

specific electrical resistance: < 6000 E2 Ω

**Temperature range:**

Maximum temperature 80 °C.

The melting point is 165 °C.



Order No.	Image	Article description
96203-75300		FLEXIBLE HOSE ANTISTATIC SIZE:75 L=300, BLACK
96203-7501		ROUND NOZZLE ANTISTATIC SIZE:75
96203-7502		RECTANGULAR NOZZLE ANTISTATIC SIZE:75
96203-7503		OVAL NOZZLE ANTISTATIC SIZE:75, CONICAL
96203-7504		GATE VALVE ANTISTATIC SIZE:75