

Small conveyor belts

with internal drive



Material:

- Frame aluminium profile 45x45 type B.
- Bearing flanges aluminium.
- Screws steel.
- Belt support stainless steel 1.4301.
- Deflector rollers aluminium.
- Belt support plate 2 mm VA plate.
- Axles stainless steel.
- Conveyor belt transport side PVC hardness Shore 70A (±5).

Version:

- Frame and bearing flanges anodised.
- Screws electro zinc-plated.

Sample order:

nIm 95300-010047060X520

Note:

- internal drive
- 24 V DC electrically commutated, highly durable
- minimum installation space, no protruding edges
- integrated control technology
- widths and lengths in 1 mm increments on request
- flexible mounting options with profile system type B
- motor externally adjustable via control cables
- running side of the conveyor belt fabric polyurethane impregnated (TPU)
- conveyor belt fabric polyester (PET)
- conveyor belt transport side has a smooth surface

Assembly:

Electrical connections/functions (7-wire cable with exposed ends 5 m):

white: +24 V power supply +24 V, protected against polarity reversal

brown: -Gnd power supply -24 V protected against polarity reversal

green: direction switched to Gnd, changes the direction

yellow: disable switched to Gnd, belt stops

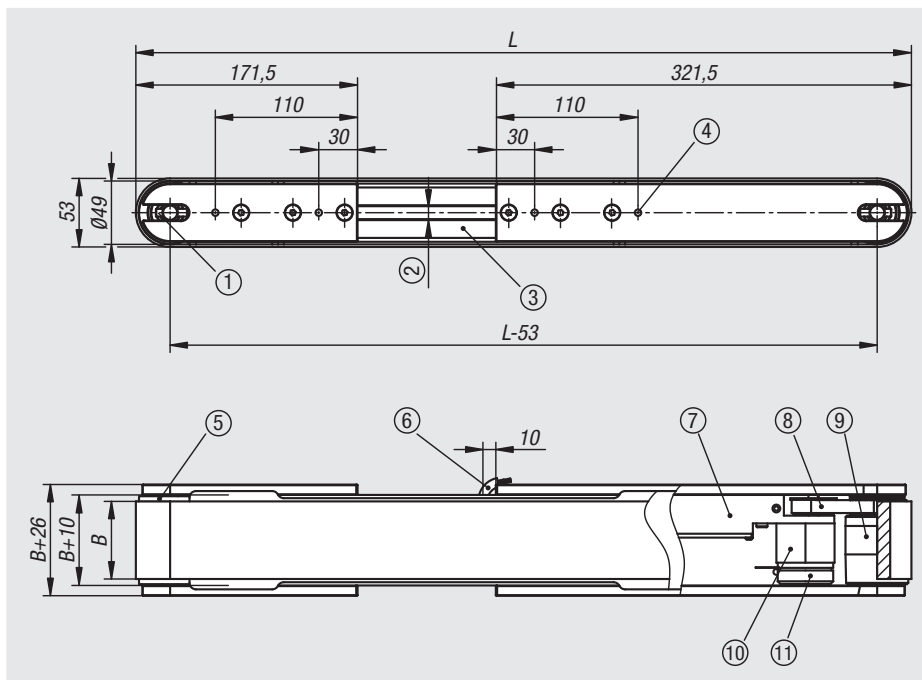
grey: brake switched to Gnd, briefly closes the winding, belt brakes

pink: speed 0–5 V speed control from 1.25% to 100% of nominal speed

blue: monitor N digital speed output

On request:

- belt width B from 60 to 400 mm
- overall length L from 520 to 2000 mm
- other belt materials
- other transmission ratios



Technical data:

- nominal voltage: 24 V
- type power: 30 W
- starting current: 2 A
- motor speed: 5000 rpm
- cable length: 5 m
- conveyor belt thickness: max. 2 mm
- cable outlet: right (standard)

Conveyor belt drive:

- brushless EC motor 24 V, 30 W
- control electronics integrated in conveyor belt
- spur gear transmission
- toothed belt drive underneath conveyor belt

Drawing reference:

- 1) Self-locking setscrew (4x)
- 2) Slot width 10
- 3) Aluminium profile 45x45 type B
- 4) M6 (both sides)
- 5) Crowned pulley
- 6) Cable, 7 wire, 5 m
- 7) Motor control housing
- 8) Toothed belt profile T5
- 9) Drive roller, crowned
- 10) Spur gear transmission
- 11) Motor 24 V EC (brushless)

Order No.	B	L	Belt speed m/min max.	Transmission ratio	Max. load kg	Belt material transport side
95300-010047060X520	60	520	11,5	1:47	3	smooth PVC, Shore 70A
95300-010047060X750	60	750	11,5	1:47	3	smooth PVC, Shore 70A
95300-010047060X1000	60	1000	11,5	1:47	3	smooth PVC, Shore 70A
95300-010047060X1500	60	1500	11,5	1:47	3	smooth PVC, Shore 70A
95300-010047100X520	100	520	11,5	1:47	3	smooth PVC, Shore 70A
95300-010047100X750	100	750	11,5	1:47	3	smooth PVC, Shore 70A
95300-010047100X1000	100	1000	11,5	1:47	3	smooth PVC, Shore 70A
95300-010047100X1500	100	1500	11,5	1:47	3	smooth PVC, Shore 70A
95300-010047150X520	150	520	11,5	1:47	3	smooth PVC, Shore 70A
95300-010047150X750	150	750	11,5	1:47	3	smooth PVC, Shore 70A
95300-010047150X1000	150	1000	11,5	1:47	3	smooth PVC, Shore 70A
95300-010047150X1500	150	1500	11,5	1:47	3	smooth PVC, Shore 70A
95300-010047200X520	200	520	11,5	1:47	3	smooth PVC, Shore 70A
95300-010047200X750	200	750	11,5	1:47	3	smooth PVC, Shore 70A
95300-010047200X1000	200	1000	11,5	1:47	3	smooth PVC, Shore 70A
95300-010047200X1500	200	1500	11,5	1:47	3	smooth PVC, Shore 70A