

Ball transfer units with stud

stainless steel



Material:

Balls stainless steel 1.4021.
Housing stainless steel 1.4301.

Version:

Bright.

Sample order:

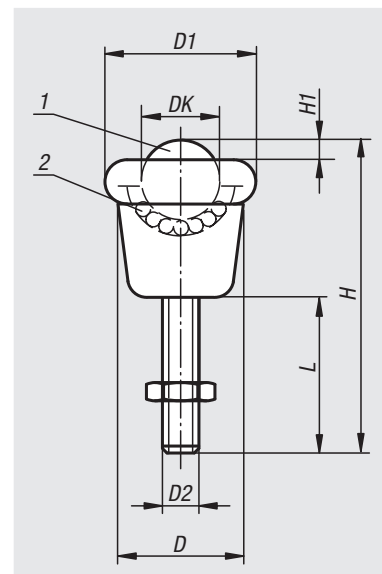
nIm 95182-01-190820

Note:

The ball transfer units has a large support area.
The stud fastening allows for high stability and heavy loading.
The formed wiper seal is external.

Drawing reference:

- 1) load ball
- 2) bearing balls



Order No.	DK	D	D1	D2	H	H1	L	Tightening torque of screws Nm	Load rating C (N)
95182-01-190820	19	25,4	32,1	M8	50,2	4,7	20	15	250
95182-01-190835	19	25,4	32,1	M8	75,2	4,7	45	15	250