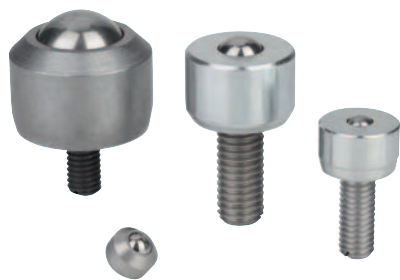


Ball transfer units mini



Material:

Steel version:

Load ball steel.

Bearing balls steel.

Housing electro zinc-plated steel.

Cover electro zinc-plated steel.

Stainless steel version:

Load ball stainless steel.

Bearing balls stainless steel.

Housing stainless steel.

Cover aluminium.

Sample order:

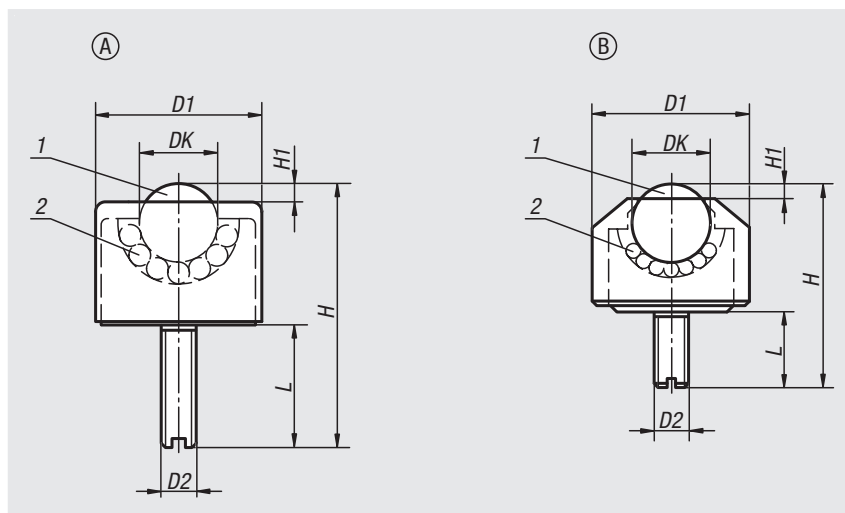
nlm 95180-1105

Note:

The ball transfer units comprise a housing with integrated bearing shell, a cover, a load ball and several supporting balls. For use in measuring instruments, material conveyance in clean rooms and miniature mechanisms.

Drawing reference:

- 1) load ball
- 2) bearing balls



| Order No. | Form | Main material | DK | D1 | D2 | H | H1 | L | Load rating C (N) |
|------------|------|-----------------|------|----|----|------|-----|-----|-------------------|
| 95180-1105 | A | steel | 4,8 | 13 | M6 | 24 | 1 | 15 | 100 |
| 95180-1106 | A | steel | 6,4 | 17 | M6 | 26 | 2 | 15 | 200 |
| 95180-1108 | A | steel | 7,9 | 18 | M8 | 32 | 2 | 18 | 300 |
| 95180-1110 | A | steel | 9,6 | 23 | M8 | 40 | 2 | 20 | 400 |
| 95180-1113 | A | steel | 12,7 | 28 | M8 | 48 | 3,5 | 23 | 500 |
| 95180-1216 | B | steel | 15,8 | 24 | M6 | 32,5 | 4 | 12 | 700 |
| 95180-2205 | B | stainless steel | 4,8 | 8 | M2 | 8,5 | 1 | 2,5 | 50 |
| 95180-2206 | B | stainless steel | 6,4 | 13 | M3 | 16,5 | 2 | 6 | 100 |
| 95180-2208 | B | stainless steel | 7,9 | 15 | M4 | 20,5 | 2 | 8 | 150 |