

Ball transfer units

with spring clips



Material:

Steel electro zinc-plated.

Sample order:

nIm 95160-122

Note:

Ball transfer units with spring clips for easy installation and removal from the functional side. The roller is held in place with spring clips, this permits generous tolerances in the receiving hole.

They have a felt seal to protect against dirt.

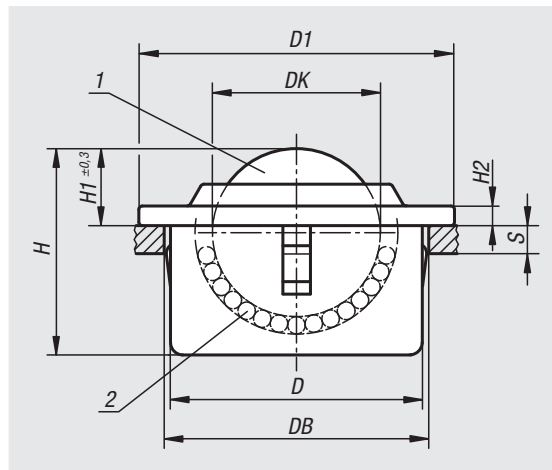
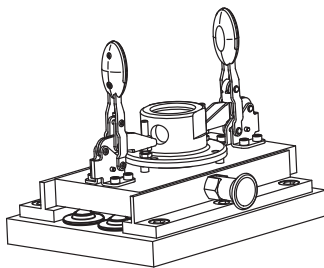
S = Minimum nominal thickness of mounting base.

Drawing reference:

- 1) load ball
- 2) bearing balls

Form B: cap and housing electro zinc-plated, balls steel

Form C: cap and housing electro zinc-plated, balls stainless steel



Order No.	Form	DK	D	D1	Receiver-Ø DB	H	H1	H2	S	Load rating C (N)
95160-115	B	15,8	24±0,1	31	25 +0,5	21	9,5	2,8	2	600
95160-122	B	22,2	36±0,1	45	37 +0,5	30	9,8	2,8	3	1600
95160-130	B	30	45±0,1	55	46 +0,5	37	13,8	4	6	3000
95160-215	C	15,8	24±0,1	31	25 +0,5	21	9,5	2,8	2	600
95160-222	C	22,2	36±0,1	45	37 +0,5	30	9,8	2,8	3	1600
95160-230	C	30	45±0,1	55	46 +0,5	37	13,8	4	6	3000

Tolerance rings



Material:

Spring band steel

Sample order:

nIm 95164-024

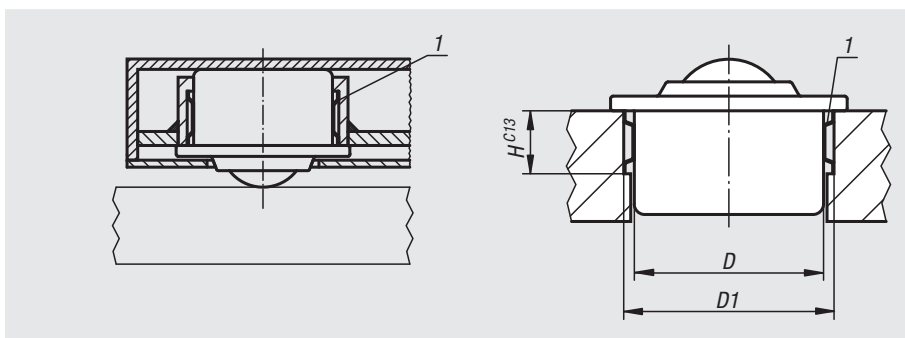
Note:

The use of tolerance rings allows for a greater tolerance range between the parts being assembled.

The ball transfer units can be fitted quickly and cost effectively.

Drawing reference:

- 1) tolerance ring



Order No.	D	Assembly dimensions D1	Assembly dimensions H
95164-024	24	25,7 +0,2	7
95164-036	36	37,7 +0,2	12
95164-045	45	46,7 +0,2	12
95164-062	62	64,1 +0,3	15
95164-100	100	102,5 +0,35	19