

Ball transfer units

with solid steel housing



Material:

Steel electro zinc-plated.

Sample order:

nlm 95156-160

Note:

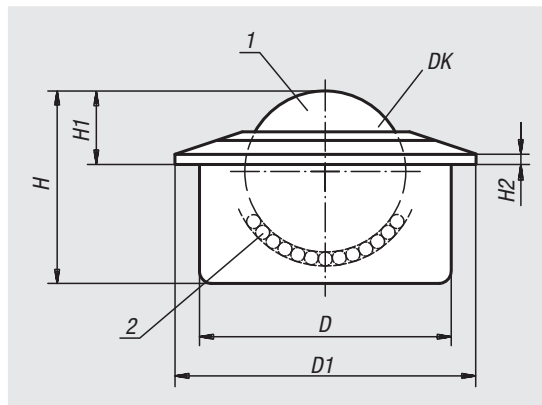
Ball transfer units with solid housings remain functional even under heavy impact loads and extreme conditions. They have a felt seal to protect against dirt.

Drawing reference:

- 1) load ball
- 2) bearing balls

Form B: cap and housing electro zinc-plated, balls steel

Form C: cap and housing electro zinc-plated, balls stainless steel



Order No.	Form	DK	D	D1	H	H1	H2	Load rating C (N)	Suitable tolerance ring
95156-160	B	57,1	100±0,1	117	77,5	29,5	5	15000	95164-100
95156-260	C	57,1	100±0,1	117	77,5	29,5	5	10000	95164-100

Ball transfer units heavy duty

stainless steel



Material:

Balls stainless steel 1.4021.
Housing stainless steel 1.4301.

Version:

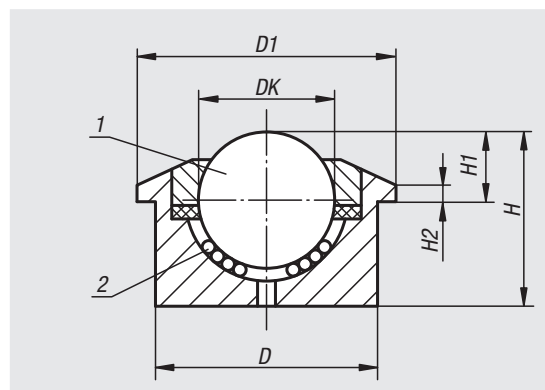
Bright.

Sample order:

nlm 95156-01-322

Note:

Solid steel ball transfer units are designed for long life by impact loading. The unit includes dust seals and self-cleaning apertures. All units are supplied with solid steel housings and hardened surfaces.



Drawing reference:

- 1) load ball
- 2) bearing balls

Order No.	DK	D1	D	H	H1	H2	Load rating C (N)
95156-01-322	22,2	45	36±0,080	30,5	9,8±0,2	3	1200
95156-01-330	30	55	45±0,080	36,8	13,8±0,2	3,4	2000