

Ball transfer units heavy duty

stainless steel, suitable for outdoor use



Material:

Balls stainless steel 1.4021.
Housing stainless steel 1.4301.

Version:

Bright.

Sample order:

nlm 95156-02-330

Note:

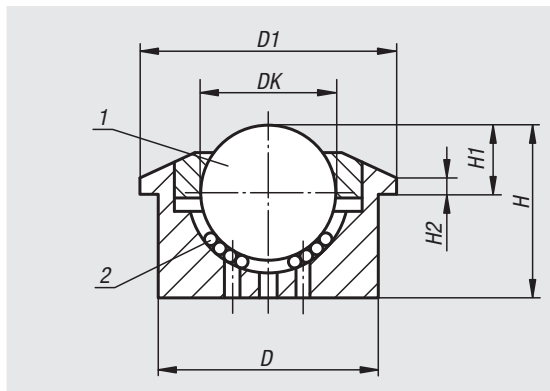
Solid steel ball transfer units are designed for long life by impact loading.

All units are supplied with solid steel housings and hardened surfaces.

The large number of self-cleaning apertures give the ball transfer units a high self-cleaning efficiency making them suitable for outdoor use.

Drawing reference:

- 1) load ball
- 2) bearing balls



Order No.	DK	D1	D	H	H1	H2	Load rating C (N)
95156-02-330	30	55	45±0,080	36,8	13,8±0,2	3,4	2000
95156-02-345	44,5	75	62±0,1	53,5	19	3,8	3000

Ball transfer units

with fastening holes, without housing



Material:

Steel electro zinc-plated.

Sample order:

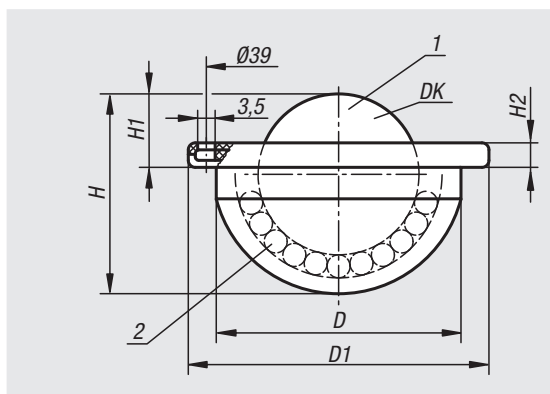
nlm 95158-122

Note:

Ball transfer units with fastening holes for easy installation and removal.

Drawing reference:

- 1) load ball
- 2) bearing balls



Form B: cap and housing electro zinc-plated, balls steel
Form C: cap and housing electro zinc-plated, balls stainless steel

Order No.	Form	DK	D	D1	H	H1	H2	No. of fastening holes	Load rating C (N)
95158-122	B	22	33-0,2	45	27,7	9,8±0,2	5	3	1200
95158-222	C	22	33-0,2	45	27,7	9,8±0,2	5	3	900