

## Item description/product images



## Description

**Material:**

Balls stainless steel 1.4021.  
Housing stainless steel 1.4301.

**Version:**

Bright.

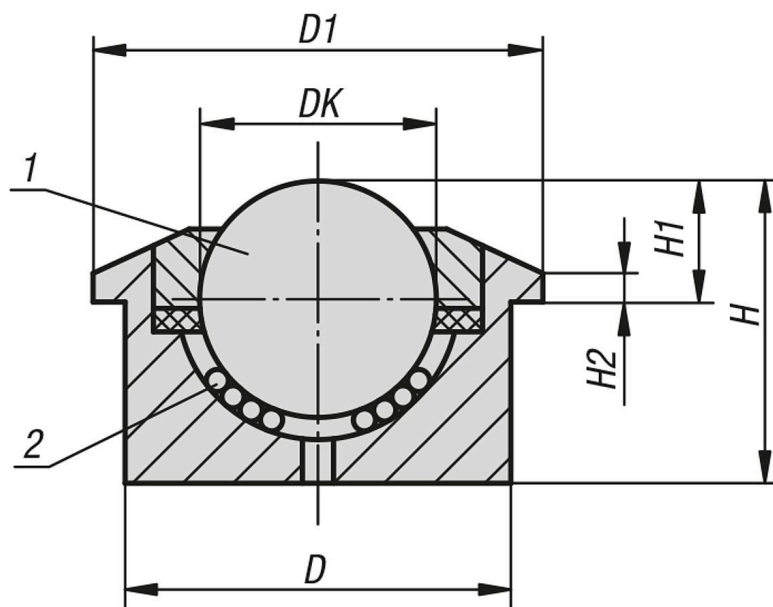
**Note:**

Solid steel ball transfer units are designed for long life by impact loading.  
The unit includes dust seals and self-cleaning apertures.  
All units are supplied with solid steel housings and hardened surfaces.

**Drawing reference:**

- 1) load ball
- 2) bearing balls

## Drawings



## Overview of items

Order No.	Material load ball	Material bearing ball	DK	D1	D	H	H1	H2	Load rating C (N)
95156-01-322	Stainless steel	Stainless steel	22,2	45	36±0,080	30,5	9,8±0,2	3	1200
95156-01-330	Stainless steel	Stainless steel	30	55	45±0,080	36,8	13,8±0,2	3,4	2000