

Elevating castors with foot

with bolt hole or mounting plate



Material:

Housing die-cast aluminium.
 Roller break resistant polyamide 6, Shore 70D.
 Foot hard rubber.

Version:

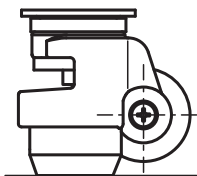
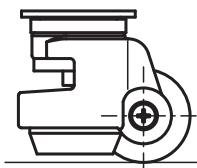
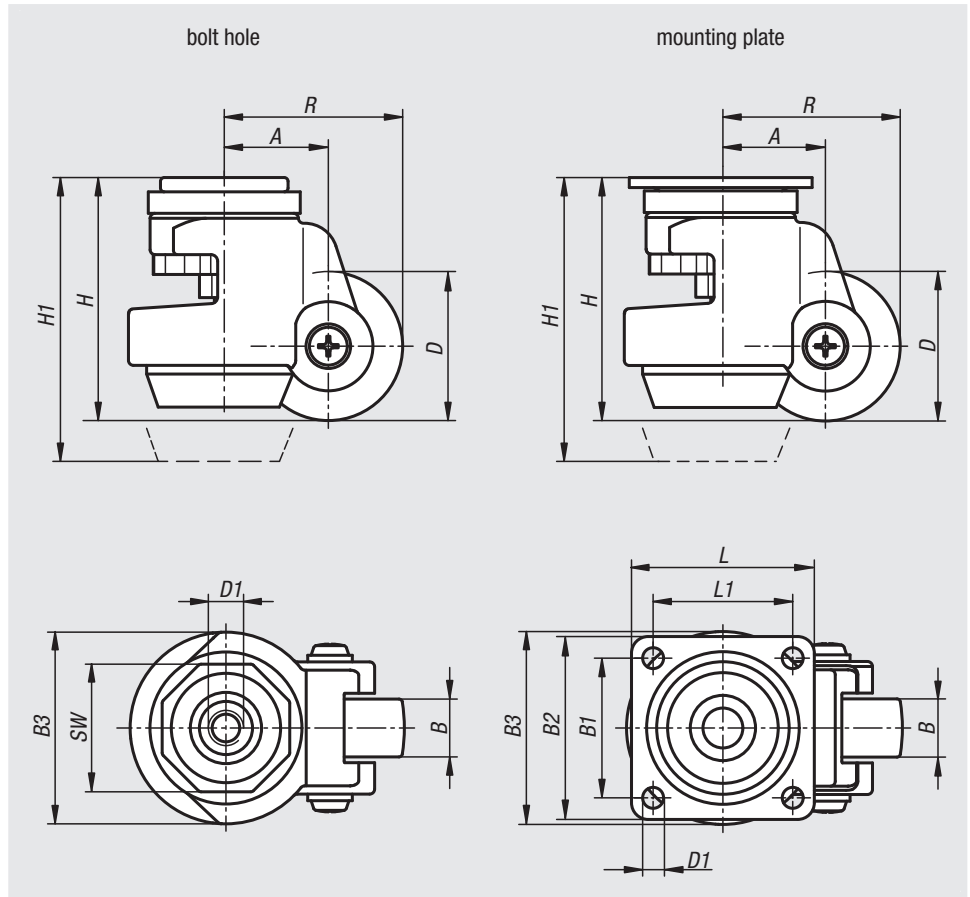
Housing, powder-coated, ivory.
 Steel parts trivalent blue passivated.
 Roller and foot black.

Sample order:

nIm 95090-045180

Note:

Elevating castor with foot. With sealed ball bearing in the swivel head. Height adjustment with a 13 mm spanner or by the integrated adjustment screw. Wheel axle bolted.



Order No.	Version 1	Wheel bearing	D	D1	A	B	B1	B3	H	H1	L	L1	R	SW	Permissible load kg
95090-045180	with locking system	plain bearing	45	M8x12	32	18	-	58	72	82	-	-	54,5	40	180
95090-050220	with locking system	plain bearing	50	M12x15	38	22	-	72	84	94	-	-	63	46	250
95090-063290	with locking system	plain bearing	63	M12x15	46	29	-	85	104	119	-	-	77,5	65	500
95090-045181	with locking system	plain bearing	45	7	32	18	42	58	72	82	55	42	54,5	-	180
95090-050221	with locking system	plain bearing	50	7	38	22	58	72	84	94	73	58	63	-	250
95090-063291	with locking system	plain bearing	63	9	46	29	70	85	104	119	90	70	77,5	-	500