

# Thermoset wheels

heat-resistant



**Material:**

Thermoset PF.

**Version:**

Hardness Shore 90D, black.  
Notch impact strength ca. 2.5 kJ/m<sup>2</sup>.

**Sample order:**

nIm 95065-07528

**Note:**

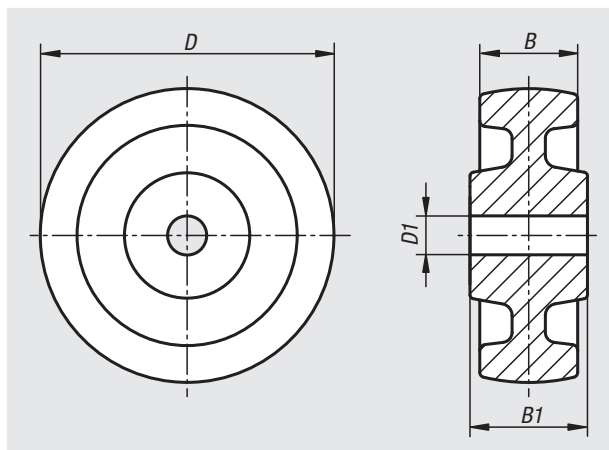
Thermoset wheels for high-heat sectors, with exceptional running characteristics on smooth floors.

Excellent chemical resistance to many aggressive types of media. Typical uses are in hot plants, paint shops, bakers and smoking ovens.

Higher abrasion is unavoidable on rough floors. Running against curbs or bumps should be avoided due to the limited mechanical durability of phenolic resin.

**Temperature range:**

-35°C to +260°C, short-term up to +300°C.



Order No.	Wheel bearing	D	D1	B	B1	Permissible load kg
95065-07528	plain bearing	75	8,4	28	31	100
95065-10030	plain bearing	100	15,2	30	40	150
95065-10038	plain bearing	100	15,2	38	42	200
95065-12546	plain bearing	125	20,2	46	58	275
95065-15050	plain bearing	150	20,2	50	58	300
95065-20050	plain bearing	200	20,2	50	60	350
95065-25050	plain bearing	250	20,2	50	58	350