

Wheels heavy-load

wheel body welded



Material:

Wheel body welded steel construction.
Tread Extrathane®.

Sample order:

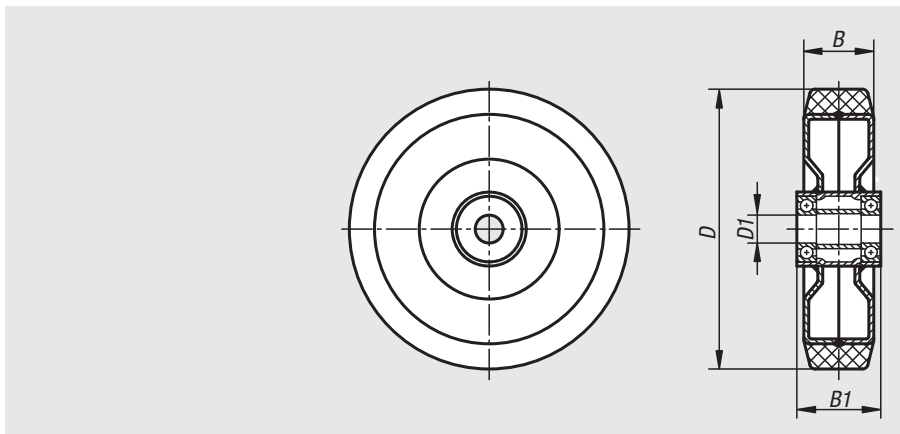
nlm 95060-16050

Note:

Extrathane treads are elastic, resist abrasion, gentle to floors, low-noise and have particularly high elastic restoration after long standing.

Application temperature from -40 °C to +80 °C.

Suitable as replacement rollers for the castors 95030 and 95032.



Order No.	Wheel bearing	D	D1	B	B1	Permissible load kg
95060-12550	ball bearing	125	20	50	60	500
95060-16050	ball bearing	160	20	50	60	700
95060-20050	ball bearing	200	20	50	60	1000
95060-25060	ball bearing	250	25	60	70	1350

Wheels polyamide



Material:

Polyamide

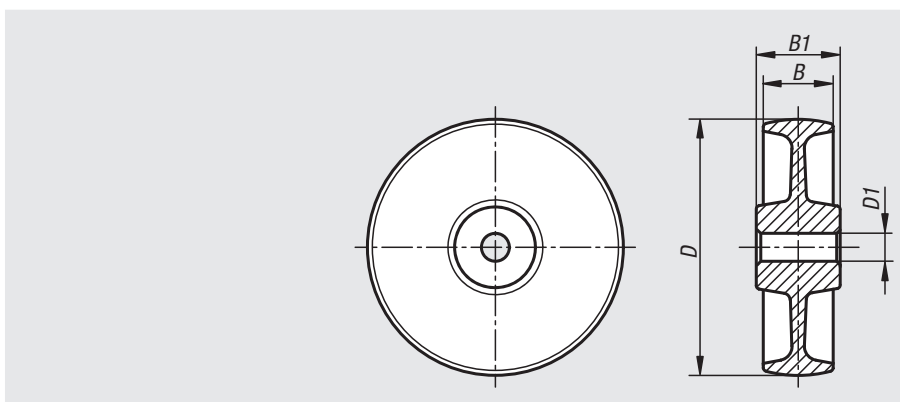
Sample order:

nlm 95062-12540

Note:

Polyamide wheels are unbreakable, non-corroding, shock and impact proof and chemical resistant. They also have high abrasion resistance and low roll resistance.

Other sizes or with ball bearing on request.



Order No.	Wheel bearing	D	D1	B	B1	Permissible load kg
95062-07532	plain bearing	75	12	32	35	200
95062-10037	plain bearing	100	15	37	45	280
95062-12540	plain bearing	125	15	40	45	300
95062-15050	plain bearing	150	20	50	60	400
95062-20050	plain bearing	200	20	50	60	600