

Wheels

aluminium rims with injection-moulded tread



Material:

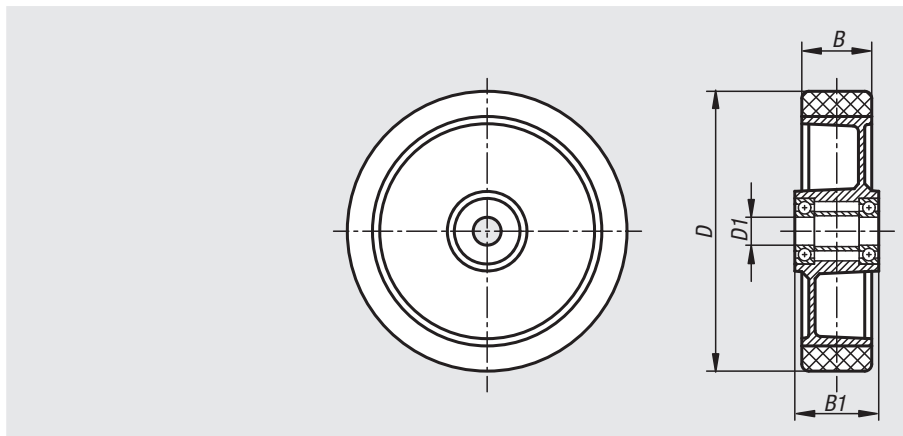
Wheel rim die-cast aluminium.
Tread Extrathane®.

Sample order:

nIm 95058-12540

Note:

These wheels are elastic, abrasion-resistant, gentle to floors, low-noise and have low roll resistance.
Suitable as replacement rollers for castors 95028.



Order No.	Wheel bearing	D	D1	B	B1	Permissible load kg
95058-10040	ball bearing	100	15	40	45	250
95058-12540	ball bearing	125	15	40	45	350
95058-16050	ball bearing	160	20	50	60	550
95058-18050	ball bearing	180	20	50	60	600
95058-20050	ball bearing	200	20	50	60	800

Rollers heavy-load



Material:

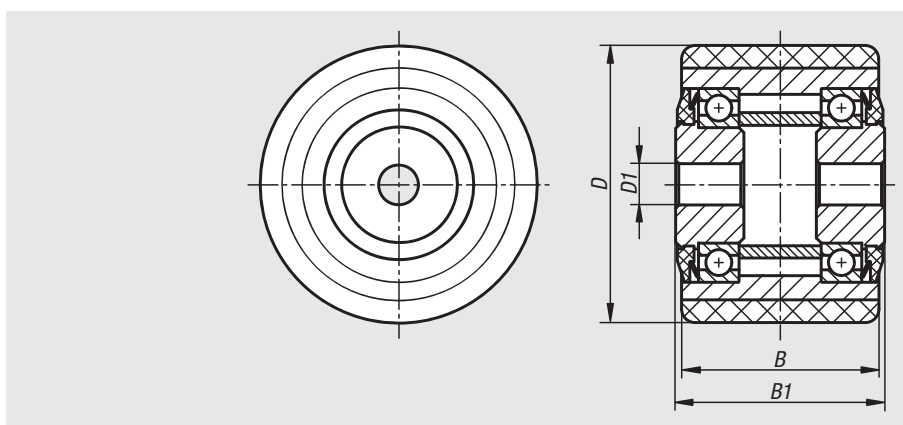
Wheel body steel tube with ball bearing.
Tread Extrathane® 92 Shore A.

Sample order:

nIm 95059-0857520

Note:

The ball bearing is splashproof. The tread is firmly bonded. These rollers resist abrasion, are non-staining, gentle to floors, low-noise, elastic, have low roll resistance and have a particularly high elastic restoration after long standing high cut and tear resistance.
Uses: pallet trucks, forklift, etc.
Other sizes on request.



Order No.	Wheel bearing	D	D1	B	B1	Permissible load kg
95059-0856020	ball bearing	85	20	60	65	450
95059-0856025	ball bearing	85	25	60	65	450
95059-0857520	ball bearing	85	20	75	80	570
95059-0857525	ball bearing	85	25	75	80	570
95059-0859525	ball bearing	85	25	95	100	720