

Wheels

rubber tyres on die-cast aluminium rims



Material:

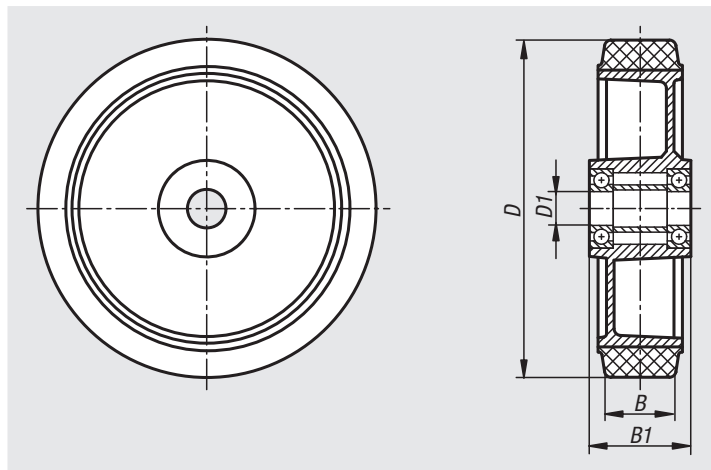
Wheel rims die-cast aluminium.
Tyre elastic solid rubber.

Sample order:

nIm 95053-200501

Note:

The tyre is vulcanised onto the rim. Wheels with elastic solid rubber tyres have a high wear resistance, low rolling resistance and excellent drive comfort.
Application temperature from -30 °C to +80 °C.
These wheels are used as the front wheels on fork-lift trucks.
Other sizes on request.



Order No.	Wheel bearing	D	D1	B	B1	Permissible load kg
95053-200501	ball bearing	200	20	35	60	450

Wheels

polyamide with injection-moulded tread



Material:

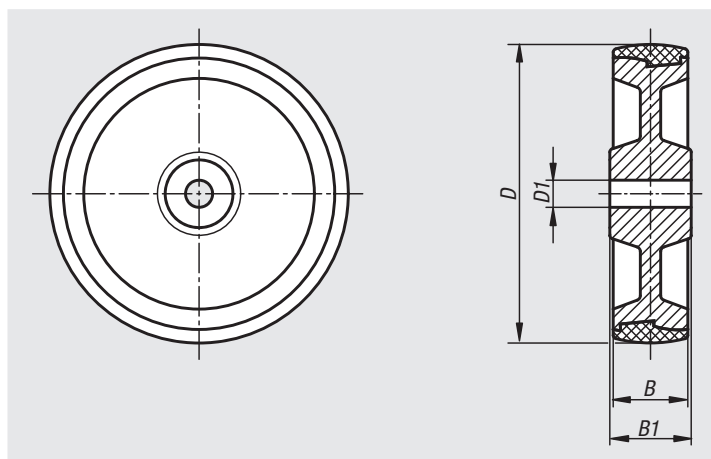
Wheel body PA.
Tread thermoplastic polyurethane elastomer.

Sample order:

nIm 95056-12535

Note:

Wheels with polyurethane tread have a high load capacity, resist abrasion, are gentle to floors, absorb shocks and vibration and are resistant to many chemicals and acids.
Temperature resistant from -30 °C to +80 °C.
Suitable as replacement rollers for the castors 95024.



Order No.	Wheel bearing	D	D1	B	B1	Permissible load kg
95056-10035	plain bearing	100	15	35	45	200
95056-12535	plain bearing	125	15	35	45	250
95056-15040	plain bearing	150	20	40	60	400
95056-20050	plain bearing	200	20	50	60	700