

Wheels

rubber tyres on steel plate rims



Material:

Rim steel plate.
Tyre solid rubber.

Version:

Rims trivalent passivated.
Tyres black.

Sample order:

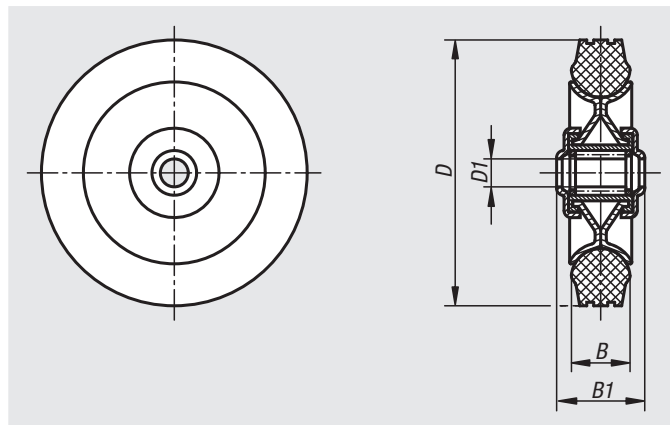
nln 95050-14038

Note:

This special rim design is exceptionally ridged even with extreme shocks and impacts. Low rolling resistance.

Temperature resistant from -30 °C to +80 °C.

Suitable for 95016.



Order No.	Wheel bearing	D	D1	B	B1	Permissible load kg
95050-08025	roller bearing	80	12	25	35	50
95050-10030	roller bearing	100	15	30	45	70
95050-12538	roller bearing	125	15	37,5	45	100
95050-14038	roller bearing	140	15	37,5	45	115
95050-16040	roller bearing	160	20	40	60	135
95050-18050	roller bearing	180	20	50	60	170
95050-20050	roller bearing	200	20	50	60	205