

Swivel and fixed castors

stainless steel, for sterile areas



Material:

Housing stainless steel 1.4301.
Wheel rim, high-quality thermoplastic polyurethane.
Wheel tread, high-quality polyamide.

Version:

Housing press formed.
Double ball bearing in the castor head.
Plain bearing in wheels.

Sample order:

nIm 95046-111250401

Note:

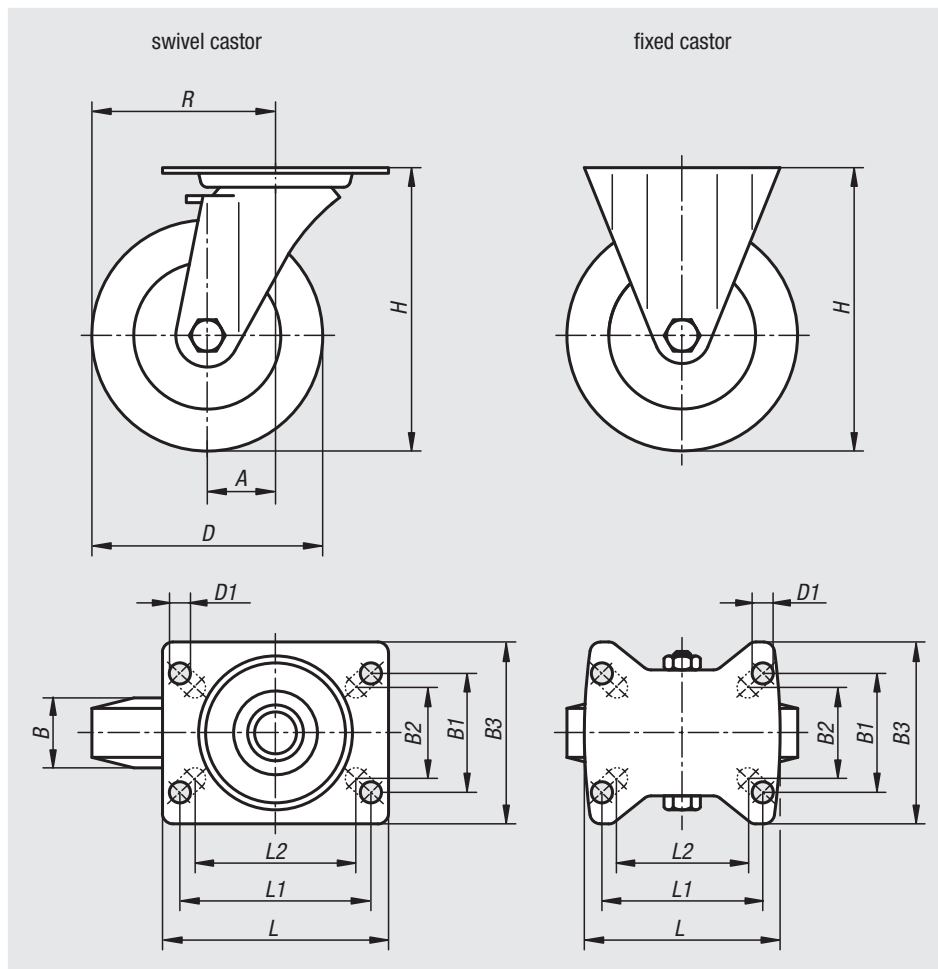
Wheel axle bolted.
Swivel and fixed castors with mounting plate.

Application:

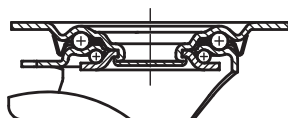
Loads can be transported with low noise and maximum ease in area's with high hygiene requirements.

Temperature range:

-20°C to +70°C.



swivel head bearing:



Order No. Fixed Castor without locking system	Order No. Swivel Castor without locking system	Order No. Swivel Castor with stop-fix locking system	Wheel bearing	A	B	B1	B2	B3	D	D1
95046-01-211000351	95046-01-21100035	95046-01-211000352	plain bearing	-/30/30	35	60	55	85	100	9
95046-01-211250401	95046-01-21125040	95046-01-211250402	plain bearing	-/40/40	40	60	55	85	125	9
95046-01-211600451	95046-01-21160045	95046-01-211600452	plain bearing	-/60/60	45	80	75	110	160	11
95046-01-212000501	95046-01-21200050	95046-01-212000502	plain bearing	-/65/65	50	80	75	110	200	11

Order No. Fixed Castor without locking system	Order No. Swivel Castor without locking system	Order No. Swivel Castor with stop-fix locking system	Wheel bearing	H	L	L1	L2	R	Permissible load kg
95046-01-211000351	95046-01-21100035	95046-01-211000352	plain bearing	125	100	80	76	-/80/80	200
95046-01-211250401	95046-01-21125040	95046-01-211250402	plain bearing	150	100	80	76	-/102,5/102,5	250
95046-01-211600451	95046-01-21160045	95046-01-211600452	plain bearing	195	140	105	-	-/140/140	400
95046-01-212000501	95046-01-21200050	95046-01-212000502	plain bearing	235	140	105	-	-/165/165	400