

Swivel and fixed castors

heavy-duty version



Material:

Housing thick steel plate.
Wheels high-quality PA 6.

Version:

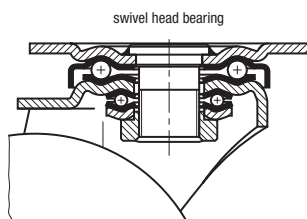
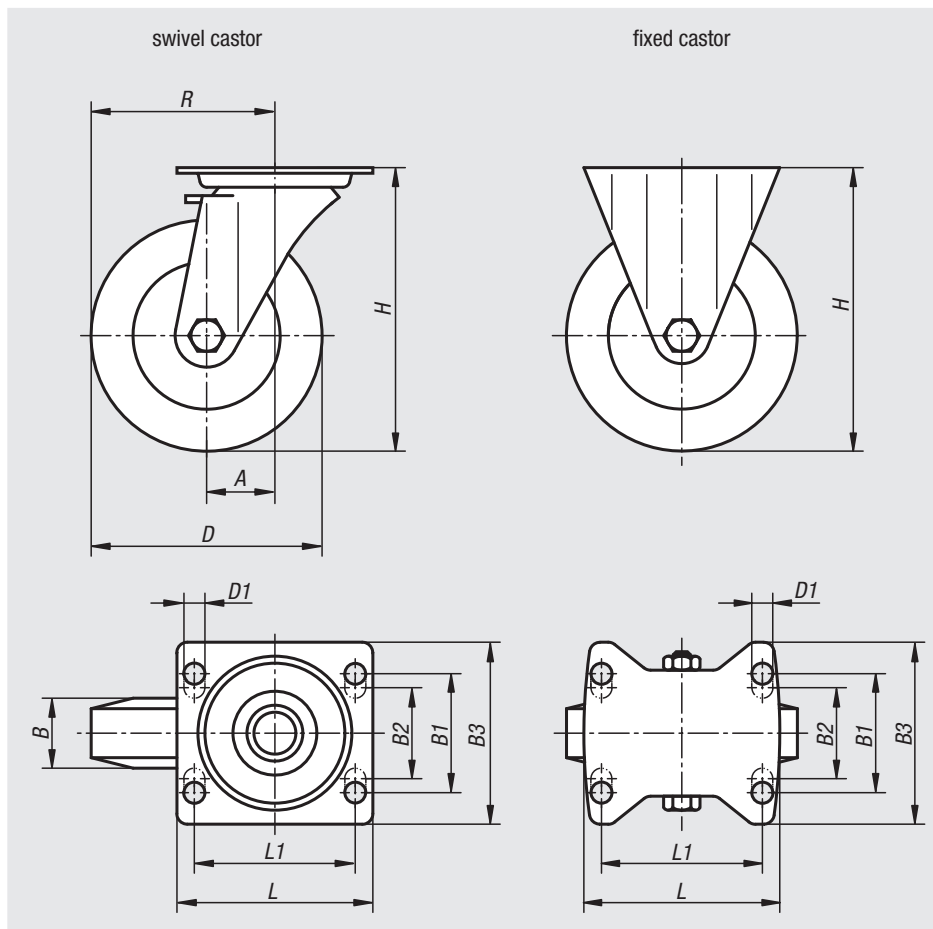
Housing press formed.
Swivel castor housing with strong fork and base plate, very robust centre pin bolted and secured. The swivel head is additionally reinforced with specially formed and hardened bearing shells.

Sample order:

nIm 95040-10037

Note:

The hardened bearing shells make these castors particularly shock and impact proof. The wheels have high abrasion resistance. Wheel axle bolted.



Order No. Fixed Castor without locking system	Order No. Swivel Castor without locking system	Order No. Swivel Castor with stop-top locking system	Wheel bearing	A	B	B1	B2	B3	D	D1
95040-075321	95040-07532	95040-075322	plain bearing	-/45/45	32	60	-	85	75	9
95040-075324	95040-075323	95040-075325	ball bearing	-/45/45	32	60	-	85	75	9
95040-100371	95040-10037	95040-100372	plain bearing	-/45/45	37	60	-	85	100	9
95040-100374	95040-100373	95040-100375	ball bearing	-/45/45	37	60	-	85	100	9
95040-125401	95040-12540	95040-125402	plain bearing	-/45/45	40	60	-	85	125	9
95040-125404	95040-125403	95040-125405	ball bearing	-/45/45	40	60	-	85	125	9
95040-150501	95040-15050	95040-150502	plain bearing	-/65/65	50	80	75	110	150	11
95040-150504	95040-150503	95040-150505	ball bearing	-/65/65	50	80	75	110	150	11

Order No. Fixed Castor without locking system	Order No. Swivel Castor without locking system	Order No. Swivel Castor with stop-top locking system	Wheel bearing	H	L	L1	R	Permissible load kg
95040-075321	95040-07532	95040-075322	plain bearing	118	100	80	-/82,5/82,5	300
95040-075324	95040-075323	95040-075325	ball bearing	118	100	80	-/82,5/82,5	300
95040-100371	95040-10037	95040-100372	plain bearing	140	100	80	-/95/95	500
95040-100374	95040-100373	95040-100375	ball bearing	140	100	80	-/95/95	500
95040-125401	95040-12540	95040-125402	plain bearing	165	100	80	-/107,5/107,5	700
95040-125404	95040-125403	95040-125405	ball bearing	165	100	80	-/107,5/107,5	700
95040-150501	95040-15050	95040-150502	plain bearing	197	140	105	-/140/140	800
95040-150504	95040-150503	95040-150505	ball bearing	197	140	105	-/140/140	800