

Swivel and fixed castors

heavy-duty version



Material:

Housing thick steel plate.
Wheels PA 6.

Version:

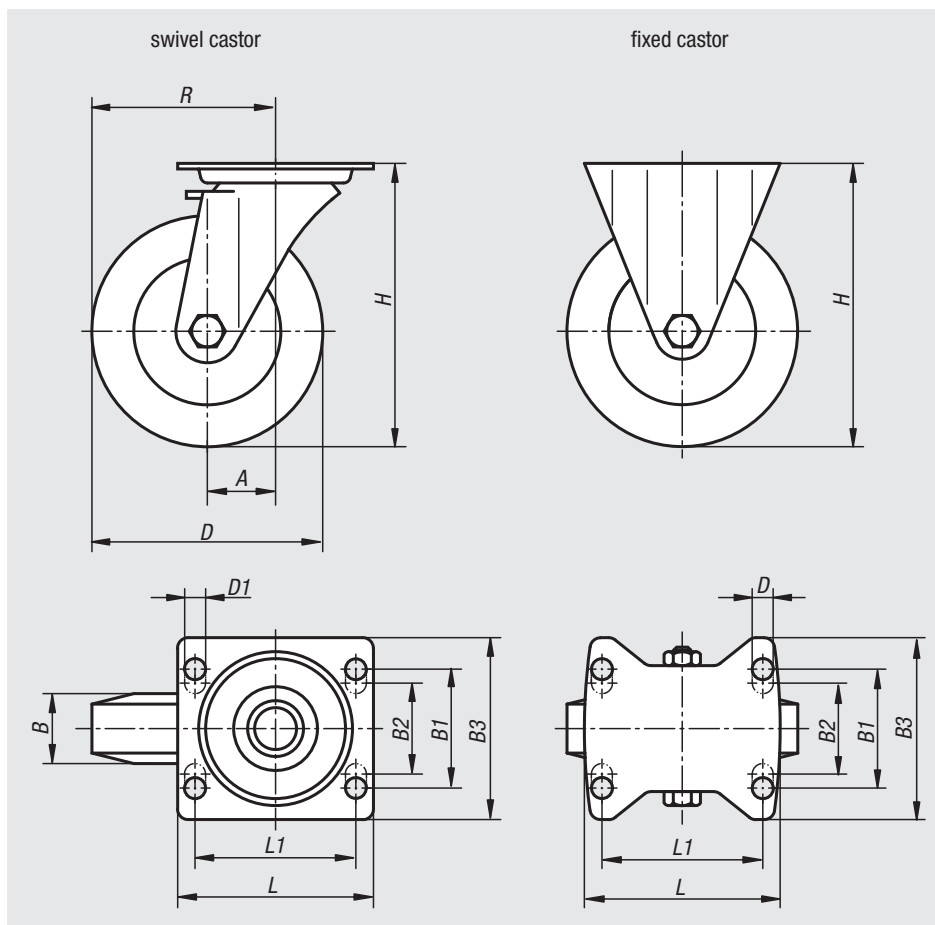
Housing press formed.
Swivel castor housing with strong fork and base plate, very robust centre pin bolted and secured. The swivel head is additionally reinforced with specially formed and hardened bearing shells. Plain bearings in the wheels.

Sample order:

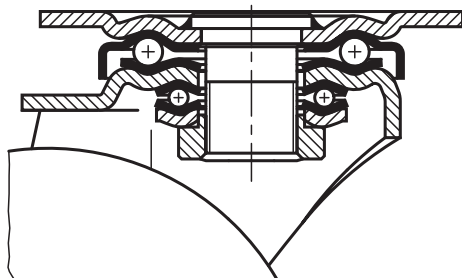
nIm 95036-12540

Note:

Wheel axle bolted. The wheels are particularly shock and impact proof and have high abrasion resistance.



swivel head bearing



Order No. Fixed Castor without locking system	Order No. Swivel Castor without locking system	Order No. Swivel Castor with stop-top locking system	Wheel bearing	A	B	B1	B2	B3	D	D1
95036-100371	95036-10037	95036-100372	plain bearing	-/45/45	37	60	-	85	100	9
95036-125401	95036-12540	95036-125402	plain bearing	-/45/45	40	60	-	85	125	9
95036-150501	95036-15050	95036-150502	plain bearing	-/65/65	50	80	75	110	150	11
95036-200501	95036-20050	95036-200502	plain bearing	-/70/70	50	80	75	110	200	11

Order No. Fixed Castor without locking system	Order No. Swivel Castor without locking system	Order No. Swivel Castor with stop-top locking system	Wheel bearing	H	L	L1	R	Permissible load kg
95036-100371	95036-10037	95036-100372	plain bearing	140	100	80	-/95/95	280
95036-125401	95036-12540	95036-125402	plain bearing	165	100	80	-/107,5/107,5	300
95036-150501	95036-15050	95036-150502	plain bearing	197	140	105	-/140/140	400
95036-200501	95036-20050	95036-200502	plain bearing	245	140	105	-/170/170	600