

## Swivel and fixed castors

standard version

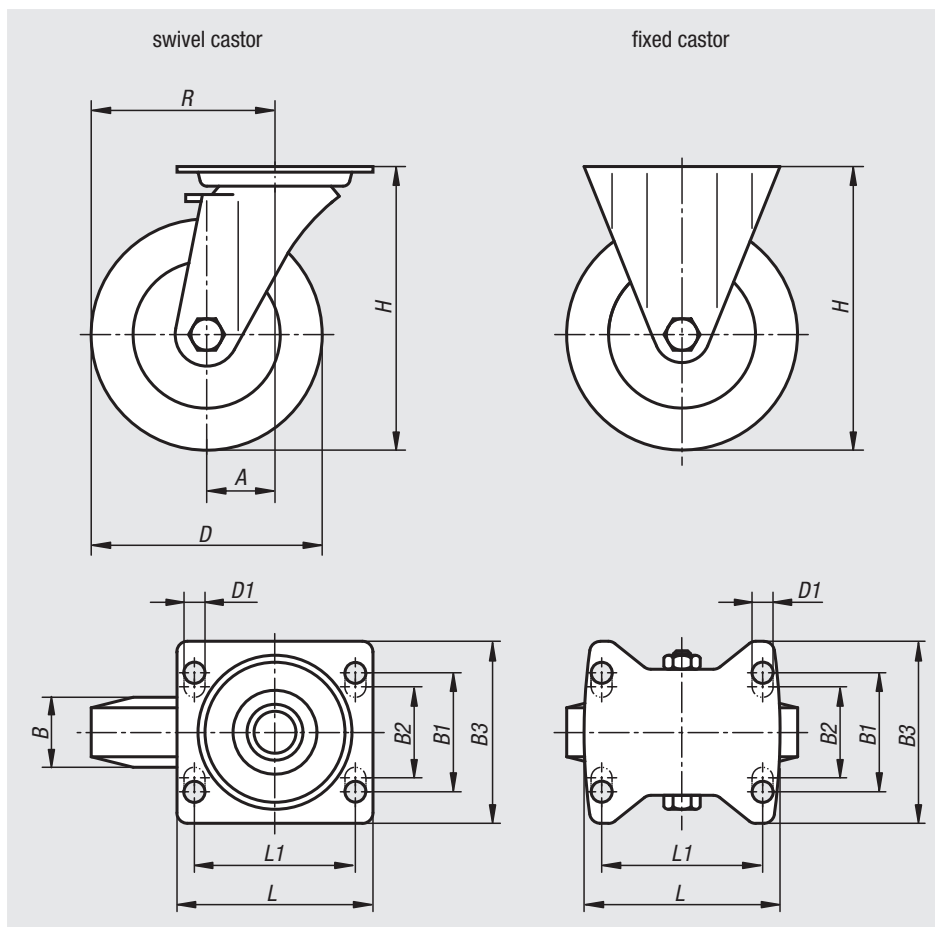


**Material:**  
Housing steel plate.  
Wheels PA 6.

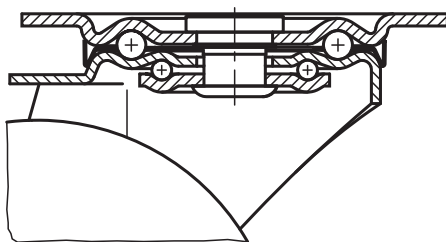
**Version:**  
Housing press formed.  
Double ball bearing with ball shield in the castor head.  
Plain bearings in the wheels.

**Sample order:**  
nlm 95034-10037

**Note:**  
The PA 6 wheels have a low rolling resistance, are non-corroding, resist abrasion and are particularly shock and impact proof.



swivel head bearing



Order No. Fixed Castor without locking system	Order No. Swivel Castor without locking system	Order No. Swivel Castor with stop-fix locking system	Wheel bearing	A	B	B1	B2	B3	D	D1
95034-075321	95034-07532	95034-075322	plain bearing	-/35/35	32	60	-	85	75	9
95034-100371	95034-10037	95034-100372	plain bearing	-/35/35	37	60	-	85	100	9
95034-125401	95034-12540	95034-125402	plain bearing	-/40/40	40	60	-	85	125	9
95034-150501	95034-15050	95034-150502	plain bearing	-/60/60	50	80	75	110	150	11

Order No. Fixed Castor without locking system	Order No. Swivel Castor without locking system	Order No. Swivel Castor with stop-fix locking system	Wheel bearing	H	L	L1	R	Permissible load kg
95034-075321	95034-07532	95034-075322	plain bearing	98	100	80/105	-/72,5/72,5	200
95034-100371	95034-10037	95034-100372	plain bearing	125	100	80/105	-/85/85	200
95034-125401	95034-12540	95034-125402	plain bearing	150	100	80/105	-/102,5/102,5	200
95034-150501	95034-15050	95034-150502	plain bearing	190	140	80/105	-/135/135	400