

Swivel and fixed castors

medium-duty version



Material:

Housing steel plate.
Wheel body die-cast aluminium with Extrathane® tread.

Version:

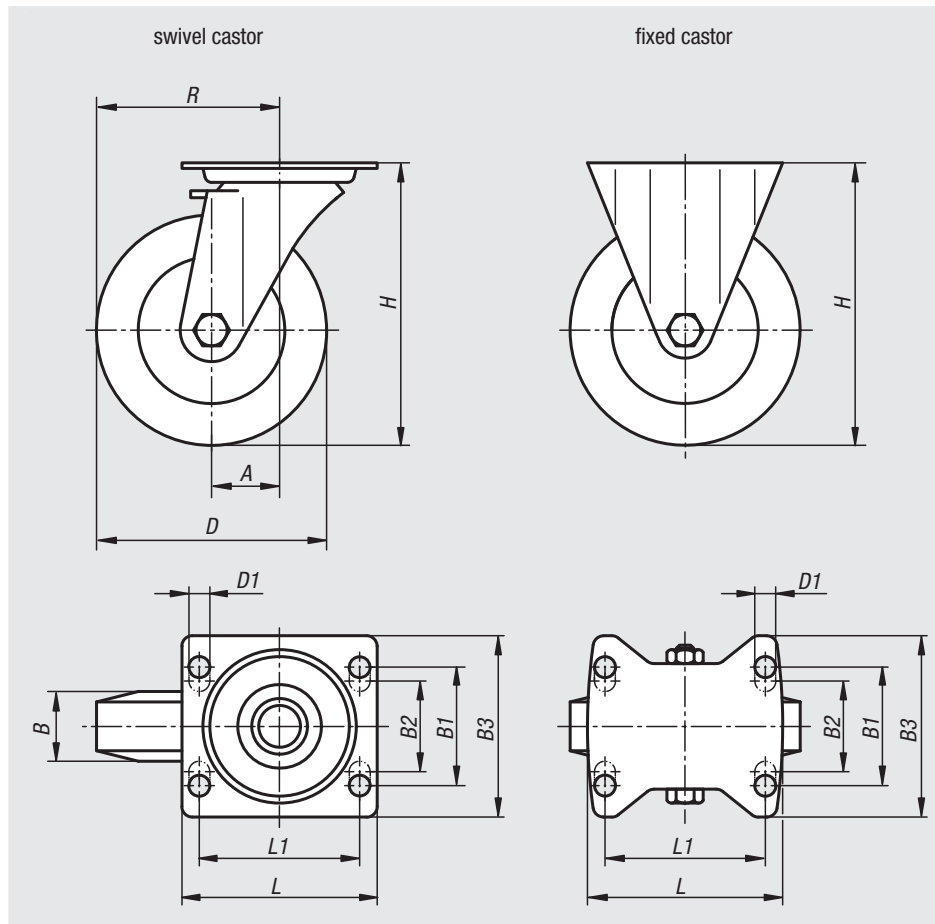
Housing press formed.
Double ball bearing with ball shield in the castor head.
Precision ball bearings in the wheels.

Sample order:

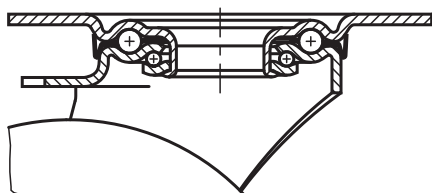
nIm 95028-12540

Note:

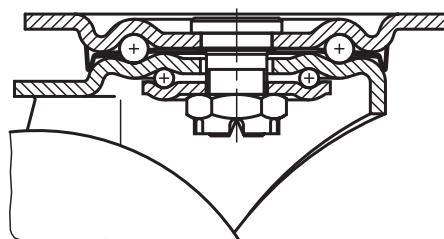
The wheels are non-corroding and have a low rolling resistance. Wheel axle bolted.



swivel head bearing $R1 \leq 125$



swivel head bearing $R1 \geq 160$



Order No. Fixed Castor without locking system	Order No. Swivel Castor without locking system	Order No. Swivel Castor with stop-top locking system	Wheel bearing	A	B	B1	B2	B3	D	D1
95028-100401	95028-10040	95028-100402	ball bearing	-/45/45	40	60	-	85	100	9
95028-125401	95028-12540	95028-125402	ball bearing	-/48/48	40	60	-	85	125	9
95028-160501	95028-16050	95028-160502	ball bearing	-/63/63	50	80	75	110	160	11
95028-200501	95028-20050	95028-200502	ball bearing	-/70/70	50	80	75	110	200	11

Order No. Fixed Castor without locking system	Order No. Swivel Castor without locking system	Order No. Swivel Castor with stop-top locking system	Wheel bearing	H	L	L1	R	Permissible load kg
95028-100401	95028-10040	95028-100402	ball bearing	130	100	80	-/95/95	250
95028-125401	95028-12540	95028-125402	ball bearing	155	100	80	-/110,5/110,5	250
95028-160501	95028-16050	95028-160502	ball bearing	202	140	105	-/143/143	550
95028-200501	95028-20050	95028-200502	ball bearing	245	140	105	-/170/170	800

41000
80000
82000
83000
84000
85000
95000
96000
97000
A-Z