

Swivel and fixed castors

standard version



Material:

Housing steel plate.
Wheel body PA 6 with abrasion-resistant polyurethane tread.

Version:

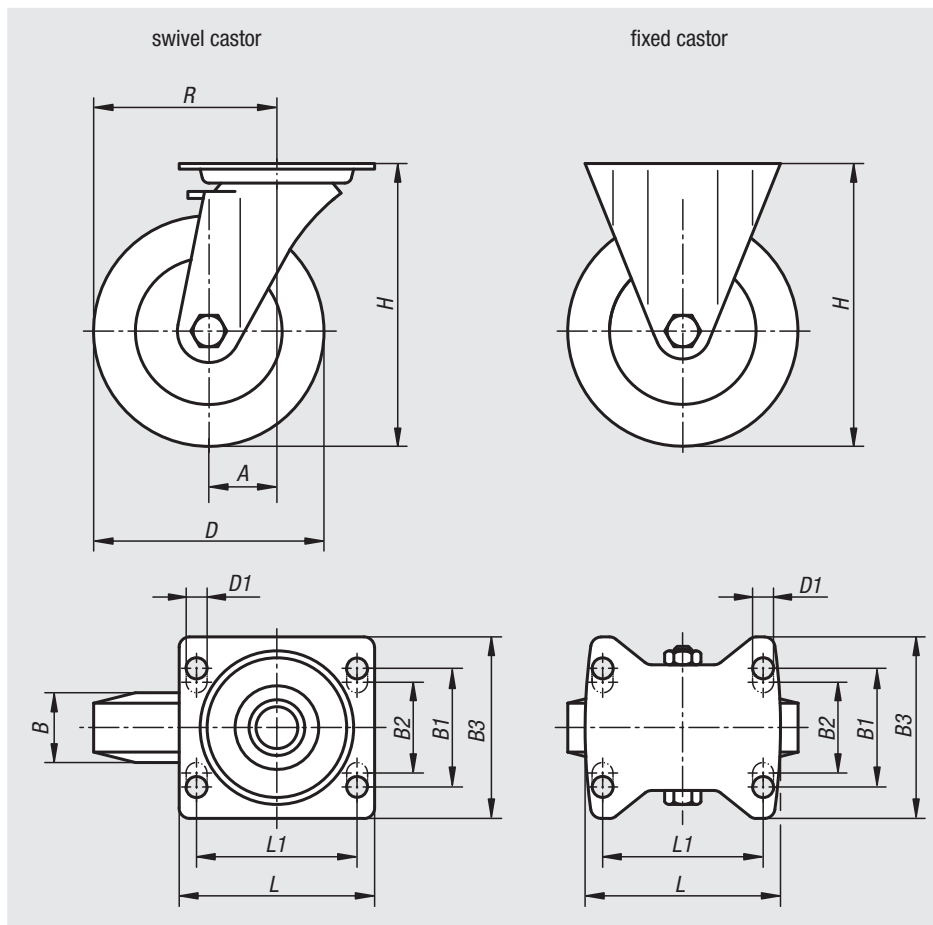
Housing press formed.
Double ball bearing with ball shield in the castor head.
Plain bearing in the wheels.

Sample order:

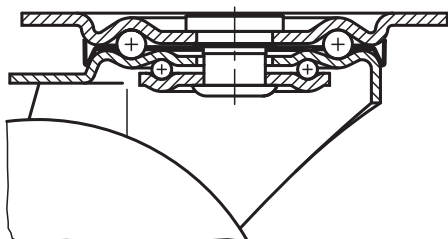
n1m 95024-12535

Note:

The wheels are unbreakable, maintenance-free and non-corroding. Wheel axle bolted. Tread non-marking.



swivel head bearing



Order No. Fixed Castor without locking system	Order No. Swivel Castor without locking system	Order No. Swivel Castor with stop-fix locking system	Wheel bearing	A	B	B1	B2	B3	D	D1
95024-100351	95024-10035	95024-100352	plain bearing	-/36/36	35	60	-	85	100	9
95024-125351	95024-12535	95024-125352	plain bearing	-/40/40	40	60	-	85	125	9
95024-150401	95024-15040	95024-150402	plain bearing	-/60/60	45	80	75	110	150	11
95024-200501	95024-20050	95024-200502	plain bearing	-/65/65	50	80	75	110	200	11

Order No. Fixed Castor without locking system	Order No. Swivel Castor without locking system	Order No. Swivel Castor with stop-fix locking system	Wheel bearing	H	L	L1	R	Permissible load kg
95024-100351	95024-10035	95024-100352	plain bearing	125	100	80	-/86/86	200
95024-125351	95024-12535	95024-125352	plain bearing	150	100	80	-/102,5/102,5	200
95024-150401	95024-15040	95024-150402	plain bearing	190	140	105	-/135/135	400
95024-200501	95024-20050	95024-200502	plain bearing	235	140	105	-/165/165	400