

Swivel and fixed castors

heavy-duty version



Material:

Housing thick steel plate.
Tyres steel-wire reinforced elastic solid rubber.
Wheel body welded steel.

Version:

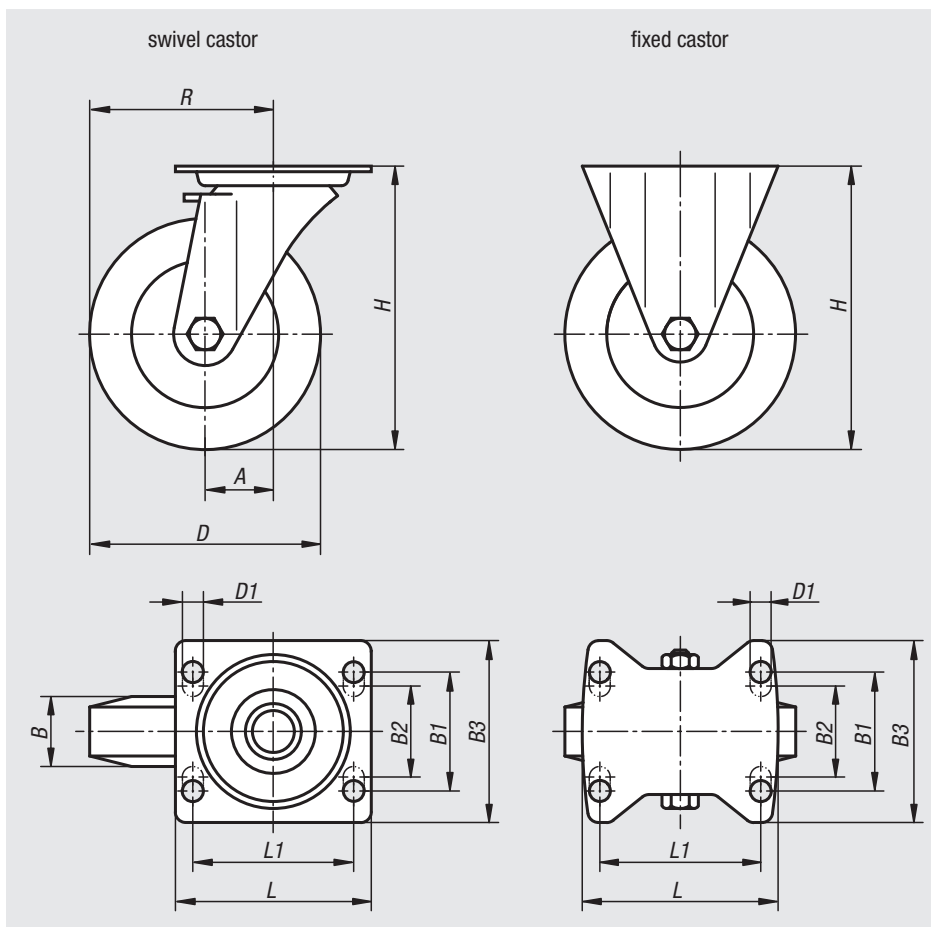
Housing press formed.
Reinforced fork, base plate and centre pin.
Double ball bearing with hardened shells in the castor head.
Precision ball bearings in the wheels.

Sample order:

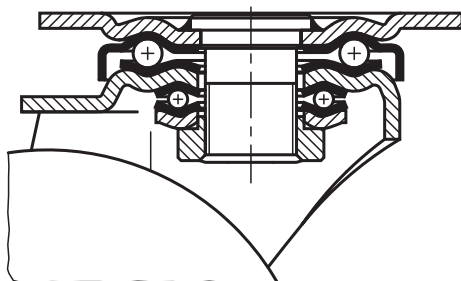
nIm 95020-12550

Note:

These castors are particularly impact and shock proof and assure a high service life.
Wheel axle bolted.



swivel head bearing



Order No. without locking system Fixed Castor	Order No. without locking system Swivel Castor	Order No. with stop-top locking system Swivel Castor	Wheel bearing	A	B	B1	B2	B3	D	D1
95020-100401	95020-10040	95020-100402	ball bearing	-/45/45	40	60	-	85	100	9
95020-125501	95020-12550	95020-125502	ball bearing	-/55/55	50	80	75	110	125	11
95020-160501	95020-16050	95020-160502	ball bearing	-/65/65	50	80	75	110	160	11
95020-200501	95020-20050	95020-200502	ball bearing	-/70/70	50	80	75	110	200	11
95020-250601	95020-25060	95020-250602	ball bearing	-/82/82	60	80	75	110	250	11

Order No. without locking system Fixed Castor	Order No. without locking system Swivel Castor	Order No. with stop-top locking system Swivel Castor	Wheel bearing	H	L	L1	R	Permissible load kg
95020-100401	95020-10040	95020-100402	ball bearing	140	100	80	-/95/95	180
95020-125501	95020-12550	95020-125502	ball bearing	170	140	105	-/117,5/117,5	280
95020-160501	95020-16050	95020-160502	ball bearing	202	140	105	-/145/145	400
95020-200501	95020-20050	95020-200502	ball bearing	245	140	105	-/170/170	500
95020-250601	95020-25060	95020-250602	ball bearing	295	140	105	-/207/207	700