

Swivel and fixed castors

standard version



Material:

Housing steel plate.
Wheel body PA 6 with vulcanised elastic solid rubber tyre.

Version:

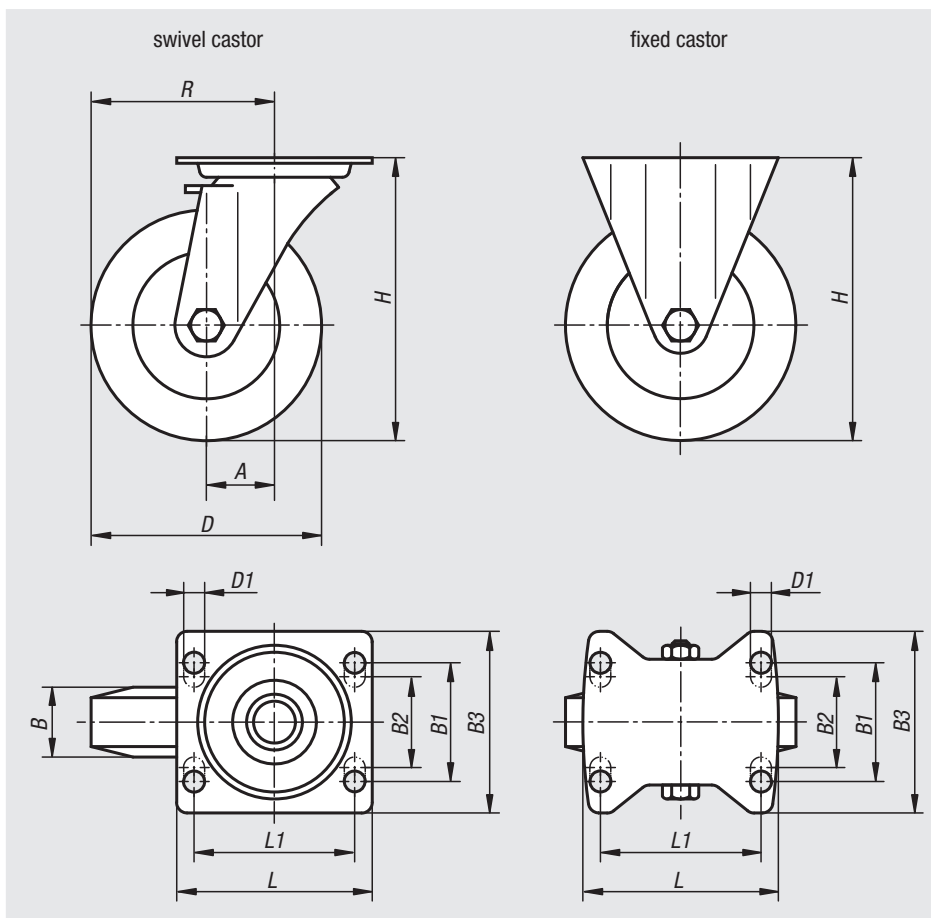
Housing press formed.
Double ball bearing with ball shield in castor head.
Roller bearings in the wheels.

Sample order:

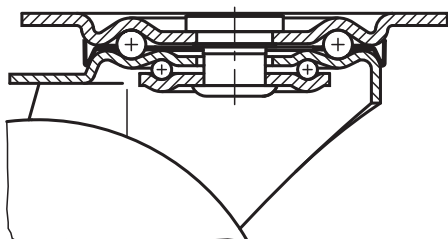
n1m 95018-12537

Note:

Wheel axle bolted.
Wheels are shock and impact proof.



swivel head bearing



Order No. Fixed Castor without locking system	Order No. Swivel Castor without locking system	Order No. Swivel Castor with stop-fix locking system	Wheel bearing	A	B	B1	B2	B3	D	D1
95018-100371	95018-10037	95018-100372	roller bearing	-/36/36	32	-	60	85	100	9
95018-125371	95018-12537	95018-125372	roller bearing	-/40/40	37	-	60	85	125	9
95018-160501	95018-16050	95018-160502	roller bearing	-/60/60	50	75	80	110	160	11
95018-200501	95018-20050	95018-200502	roller bearing	-/65/65	50	75	80	110	200	11

Order No. Fixed Castor without locking system	Order No. Swivel Castor without locking system	Order No. Swivel Castor with stop-fix locking system	Wheel bearing	H	L	L1	R	Permissible load kg
95018-100371	95018-10037	95018-100372	roller bearing	125	100	80	-/86/86	170
95018-125371	95018-12537	95018-125372	roller bearing	150	100	80	-/102,5/102,5	200
95018-160501	95018-16050	95018-160502	roller bearing	195	140	105	-/140/140	350
95018-200501	95018-20050	95018-200502	roller bearing	235	140	105	-/165/165	400