

Swivel and fixed castors

standard version



Material:

Housing and wheel rim steel plate.
Tyres solid rubber.
Wheel hub steel tube.

Version:

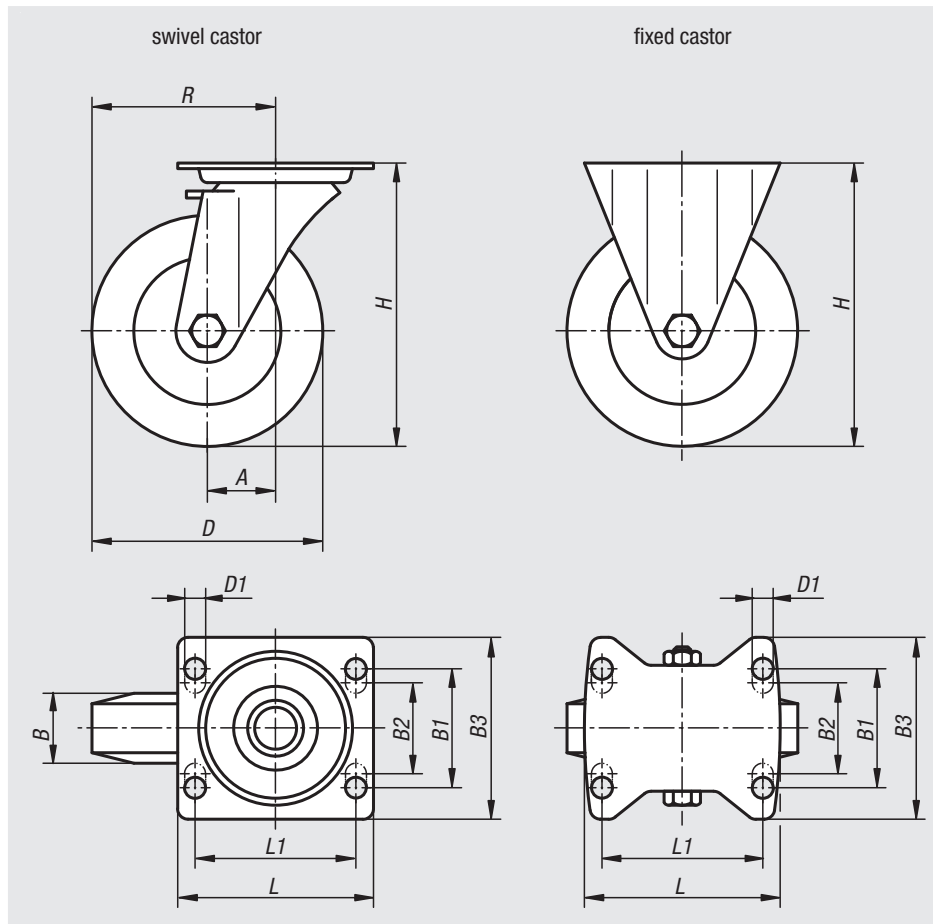
Housing and rim press formed.
Double ball bearing with ball shield in castor head.
Roller bearings in the wheels.

Sample order:

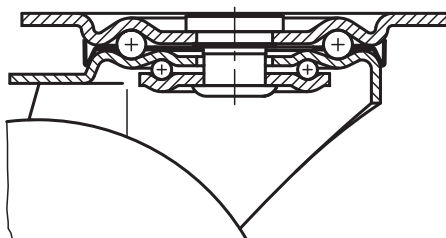
nIm 95016-10030

Note:

Wheel axle bolted.



swivel head bearing



Order No. Fixed Castor without locking system	Order No. Swivel Castor without locking system	Order No. Swivel Castor with stop-fix locking system	Wheel bearing	A	B	B1	B2	B3	D	D1
95016-080251	95016-08025	95016-080252	roller bearing	-/38/38	25	-	60	85	80	9
95016-100301	95016-10030	95016-100302	roller bearing	-/36/36	30	-	60	85	100	9
95016-125381	95016-12538	95016-125382	roller bearing	-/40/40	37,5	-	60	85	125	9
95016-160401	95016-16040	95016-160402	roller bearing	-/60/60	40	75	80	110	160	11
95016-200501	95016-20050	95016-200502	roller bearing	-/65/65	50	75	80	110	200	11

Order No. Fixed Castor without locking system	Order No. Swivel Castor without locking system	Order No. Swivel Castor with stop-fix locking system	Wheel bearing	L	L1	H	R	Permissible load kg
95016-080251	95016-08025	95016-080252	roller bearing	100	80	102	-/78/78	50
95016-100301	95016-10030	95016-100302	roller bearing	100	80	125	-/86/86	70
95016-125381	95016-12538	95016-125382	roller bearing	100	80	150	-/102,5/102,5	100
95016-160401	95016-16040	95016-160402	roller bearing	140	105	195	-/140/140	135
95016-200501	95016-20050	95016-200502	roller bearing	140	105	235	-/165/165	205

Swivel and fixed castors

steel plate, electrically conductive standard version



Material:

Housing steel plate.
Wheels with thermoplastic rubber tread.
Wheel body polypropylene.

Version:

Housing press formed.
Double ball bearing in the castor head.
Plain bearing in wheels.

Sample order:

nIm 95016-1108032

Note:

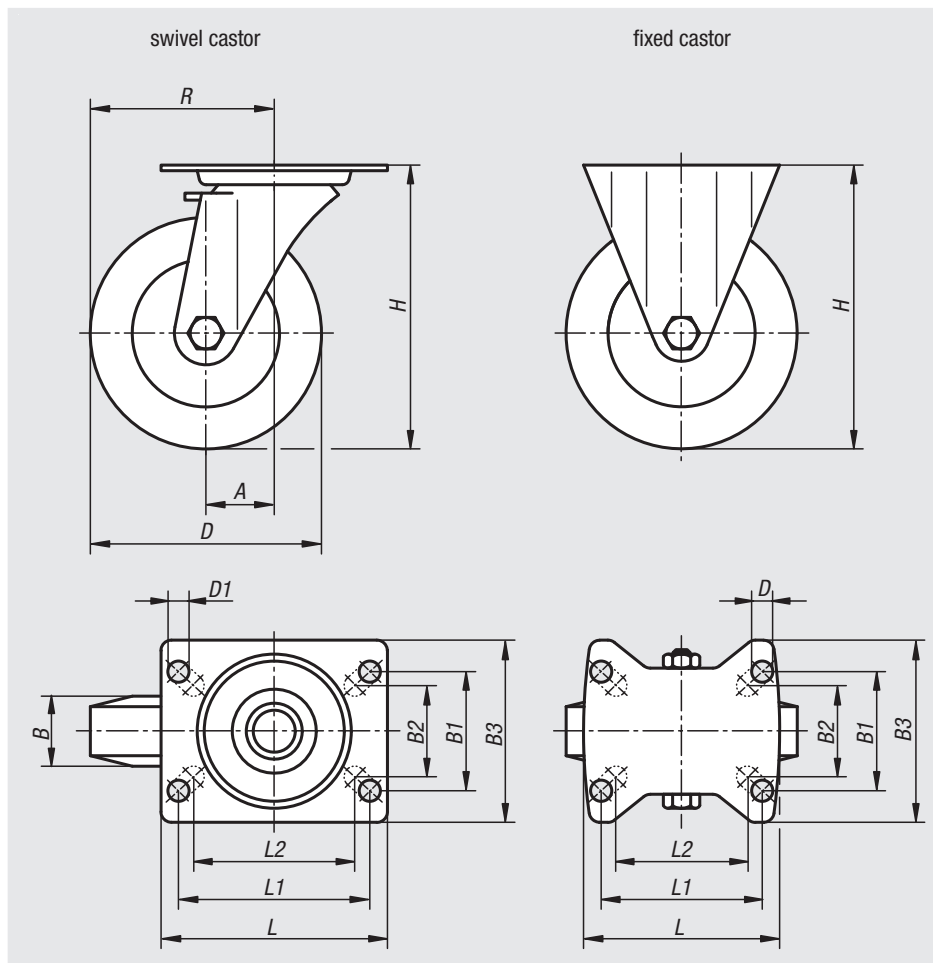
Wheel axle threaded. Swivel and fixed castors with mounting plate. Electrically conductive wheels, non-marking grey. The ohmic resistance of the wheel is less than $10^4 \Omega$.

Application:

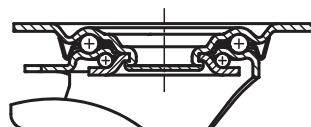
Electrically conductive wheels on swivel and fixed castors are used to protect against electrostatic discharge generated by transport equipment or the transported goods. Damage to sensitive goods and painful electrostatic shocks to the personal is so prevented.

Temperature range:

-20 °C to +60 °C.



swivel head bearing:



Order No. Fixed Castor without locking system	Order No. Swivel Castor without locking system	Order No. Swivel Castor with stop-fix locking system	Wheel bearing	A	B	B1	B2	B3	D	D1
95016-11080321	95016-1108032	95016-11080322	plain bearing	-/38/38	32	55	60	85	80	9
95016-11100321	95016-1110032	95016-11100322	plain bearing	-/36/36	32	55	60	85	100	9
95016-11125321	95016-1112532	95016-11125322	plain bearing	-/40/40	32	55	60	85	125	9
95016-11160401	95016-1116040	95016-11160402	plain bearing	-/54/54	40	75	80	110	160	11
95016-11200401	95016-1120040	95016-11200402	plain bearing	-/54/54	40	75	80	110	200	11

Order No. Fixed Castor without locking system	Order No. Swivel Castor without locking system	Order No. Swivel Castor with stop-fix locking system	Wheel bearing	L	L1	L2	H	R	Permissible load kg
95016-11080321	95016-1108032	95016-11080322	plain bearing	100	80	76	102	-/78/78	65
95016-11100321	95016-1110032	95016-11100322	plain bearing	100	80	76	125	-/86/86	70
95016-11125321	95016-1112532	95016-11125322	plain bearing	100	80	76	150	-/102,5/102,5	80
95016-11160401	95016-1116040	95016-11160402	plain bearing	140	105	-	195	-/134/134	130
95016-11200401	95016-1120040	95016-11200402	plain bearing	140	105	-	235	-/154/154	160