

Swivel and fixed castors

heavy-duty version



Material:

Housing steel plate.
Wheel treads solid rubber.
Wheel rims polyamide.

Version:

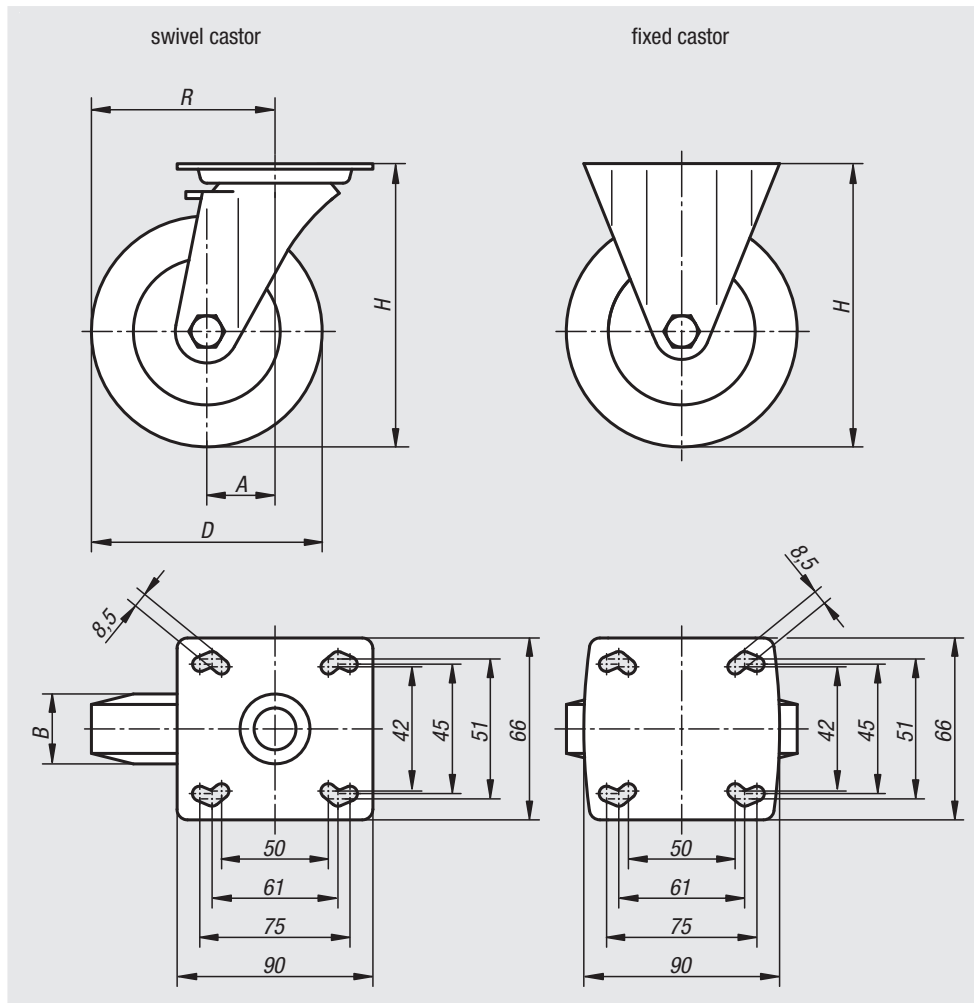
Housing press formed.
Double ball bearing in the castor head.
Plain bearing in wheels.

Sample order:

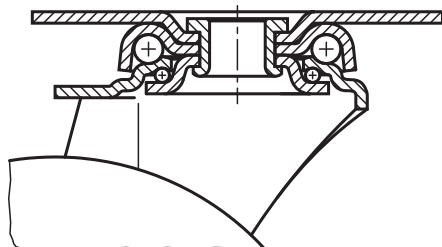
nIm 95012-10032

Note:

Wheel axle bolted.
Solid rubber tyres are shock and impact proof and non-corroding.



swivel head bearing



Order No. Fixed Castor without locking system	Order No. Swivel Castor without locking system	Order No. Swivel Castor with stop-fix locking system	Wheel bearing	A	B	D	H	R	Permissible load kg
95012-080251	95012-08025	95012-080252	plain bearing	-/40/40	25	80	111	-/80/80	60
95012-100321	95012-10032	95012-100322	plain bearing	-/40/40	32	100	136	-/90/90	90
95012-125251	95012-12525	95012-125252	plain bearing	-/40/40	25	125	161	-/102,5/102,5	80
95012-125321	95012-12532	95012-125322	plain bearing	-/40/40	32	125	161	-/102,5/102,5	100

Swivel and fixed castors

steel plate, electrically conductive, heavy-duty version



Material:

Housing steel plate.
Wheels with thermoplastic rubber tread.
Wheel body polypropylene.

Version:

Housing press formed.
Double ball bearing in the castor head.
Plain bearing in wheels.

Sample order:

nIm 95012-1108032

Note:

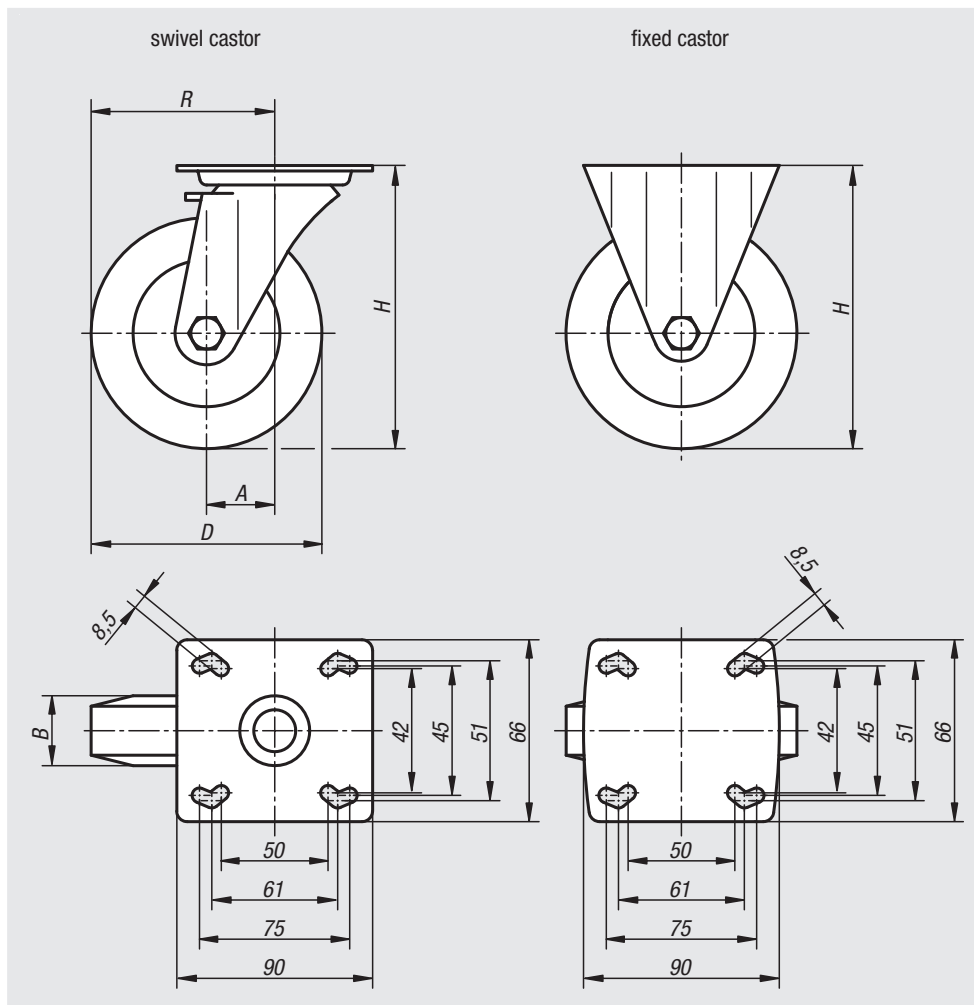
Wheel axle threaded. Swivel and fixed castors with mounting plate. Electrically conductive wheels, non-marking grey. The ohmic resistance of the wheel is less than $10^4 \Omega$.

Application:

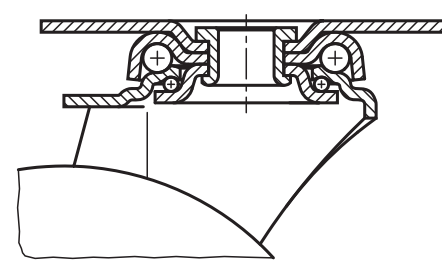
Electrically conductive wheels on swivel and fixed castors are used to protect against electrostatic discharge generated by transport equipment or the transported goods. Damage to sensitive goods and painful electrostatic shocks to the personal is so prevented.

Temperature range:

-20 °C to +60 °C.



swivel head bearing



Order No. Fixed Castor without locking system	Order No. Swivel Castor without locking system	Order No. Swivel Castor with stop-fix locking system	Wheel bearing	A	B	D	H	R	Permissible load kg
95012-11080321	95012-1108032	95012-11080322	plain bearing	-/40/40	32	80	111	-/80/80	65
95012-11100321	95012-1110032	95012-11100322	plain bearing	-/40/40	32	100	136	-/90/90	70
95012-11125321	95012-1112532	95012-11125322	plain bearing	-/40/40	32	125	161	-/102,5/102,5	80

41000
80000
82000
83000
84000
85000
95000
96000
97000
A-Z