

Swivel and fixed castors

standard version



Material:

Housing steel plate.
Wheel treads solid rubber.
Wheel rims polyamide.

Version:

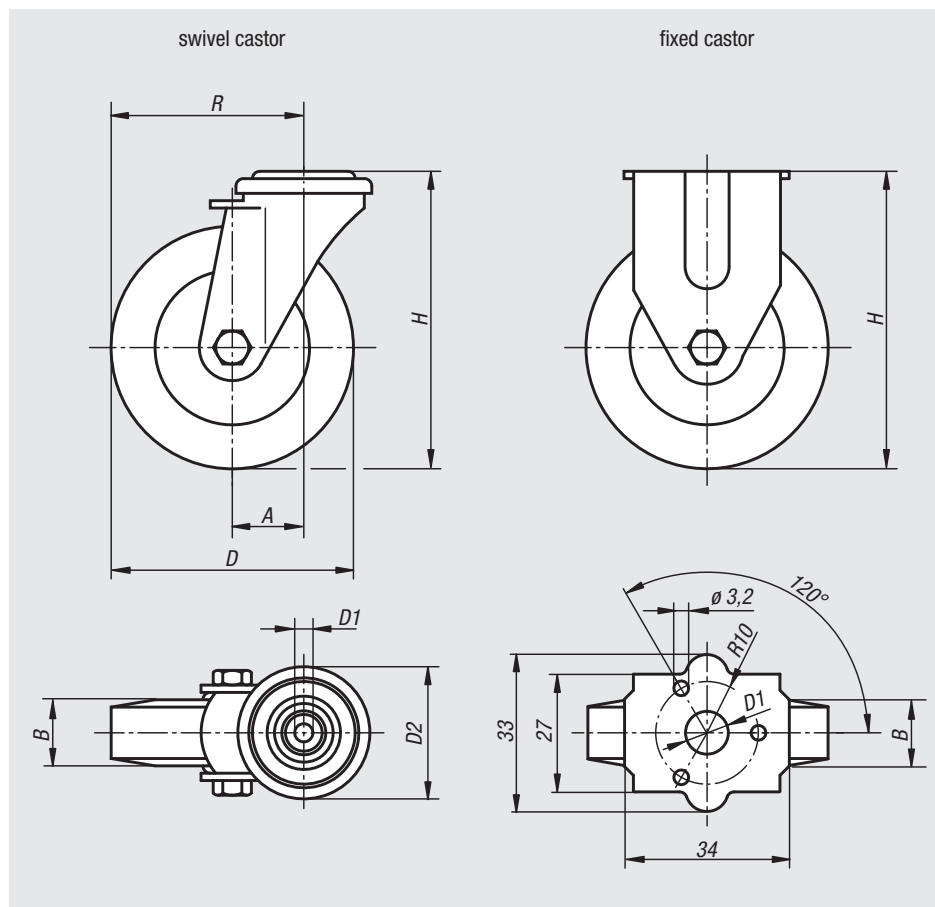
Housing press formed.
Double ball bearing in the castor head.
Plain bearing in wheels.

Sample order:

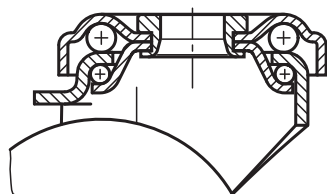
n1m 95010-07525

Note:

Wheel axle bolted.
Swivel and fixed castors with bolt hole.
Wheels grey, non-marking.



swivel head bearing



Order No. Fixed Castor without locking system	Order No. Swivel Castor without locking system	Order No. Swivel Castor with stop-fix locking system	Wheel bearing	A	B	D	D1	D2	H	R	Permissible load kg
95010-050181	95010-05018	95010-050182	plain bearing	-/25/25	18	50	11	-/43/43	69	-/50/50	40
95010-075251	95010-07525	95010-075252	plain bearing	-/28/28	25	75	11	-/43/43	98	-/65,5/65,5	60
-	95010-10025	95010-100252	plain bearing	33/33	25	100	11	43/43	121	83/83	70

Swivel and fixed castors

electrically conductive, standard version



Material:

Housing steel plate.
Wheels with thermoplastic rubber tread.
Wheel body polypropylene.

Version:

Housing press formed.
Double ball bearing in the castor head.
Plain bearing in wheels.

Sample order:

nIm 95010-1105019

Note:

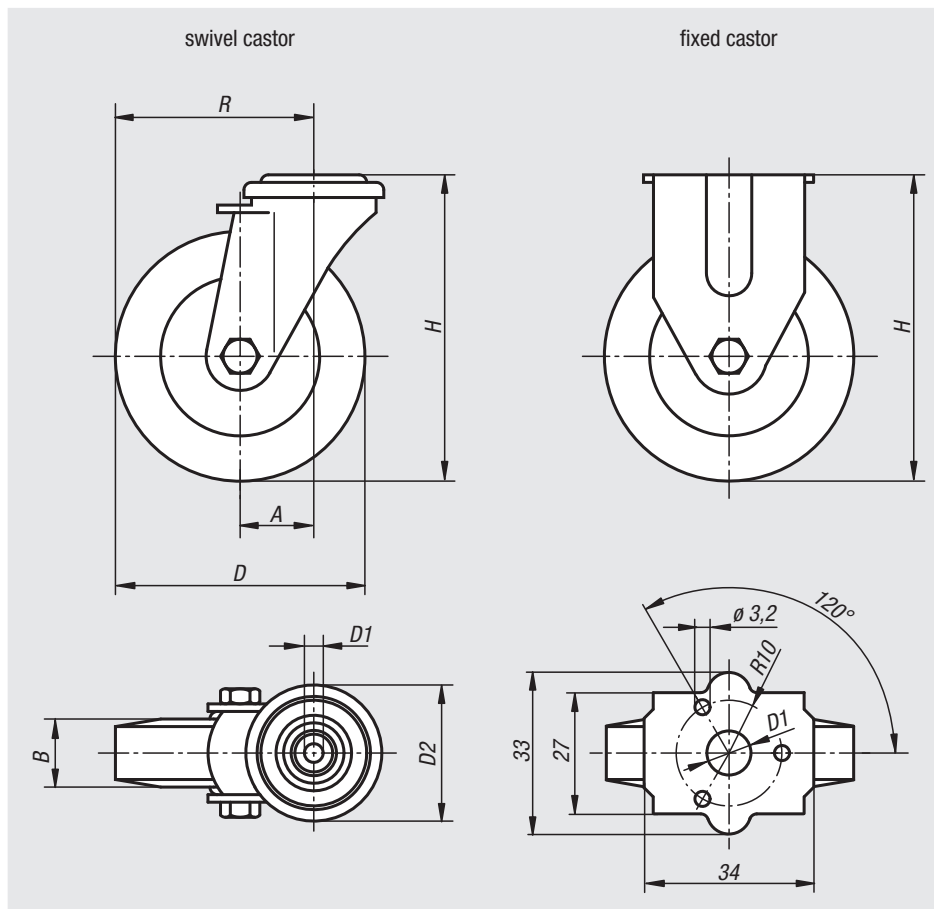
Wheel axle threaded. Swivel and fixed castors with bolt hole. Electrically conductive wheels, non-marking grey. The ohmic resistance of the wheel is less than $10^4 \Omega$.

Application:

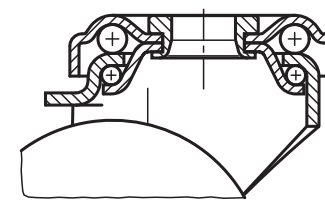
Electrically conductive wheels on swivel and fixed castors are used to protect against electrostatic discharge generated by transport equipment or the transported goods. Damage to sensitive goods and painful electrostatic shocks to the personal is so prevented.

Temperature range:

-20 °C to +60 °C.



swivel head bearing



Order No. Fixed Castor without locking system	Order No. Swivel Castor without locking system	Order No. Swivel Castor with stop-fix locking system	Wheel bearing	A	B	D	D1	D2	H	R	Permissible load kg
95010-11050191	95010-1105019	95010-11050192	plain bearing	-/25/25	19	50	11	-/43/43	69	-/50/50	30
95010-11075251	95010-1107525	95010-11075252	plain bearing	-/29/29	25	75	11	-/43/43	98	-/66,5/66,5	50
-	95010-1110025	95010-11100252	plain bearing	33/33	25	100	11	43/43	121	83/83	60

41000
80000
82000
83000
84000
85000
95000
96000
97000
A-Z