

## Cable glands, plastic

**Material:**

Polyamide (PA6).  
Seal ring CR / NBR.

**Version:**

Light grey RAL 7035.

**Sample order:**

nIm 84100-161500

**Note:**

DIN EN 60423 cable glands with metric thread. Sealing and tension relief are provided by inset fins and a sealing washer.

Rating IP68 (5 bar for 30 min).

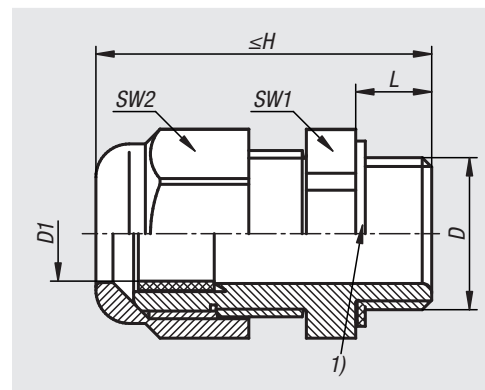
Cable glands are used for connecting fixed cables and lines in housings, distributors and switch boxes.

**Temperature range:**

Static: -40 °C to +100 °C.  
Dynamic: -20 °C to +100 °C.

**Drawing reference:**

1) Flat sealing washer M32x1.5



Order No.	Version 1	D	D1	H max.	L	SW1	SW2	Max. tightening torque on SW1 Nm	Max. tightening torque on SW2 Nm
84100-121500	with standard thread length	M12x1,5	3-6,5	31	8	15	15	1,5	1,5
84100-161500	with standard thread length	M16x1,5	5-9,5	35,5	8	20	20	2,5	2,5
84100-201500	with standard thread length	M20x1,5	8-13	36	8	24	24	3,5	3,5
84100-251500	with standard thread length	M25x1,5	11-17	43	8	29	29	5	5
84100-321500	with standard thread length	M32x1,5	15-21	50	10	36	36	5	5
84100-401500	with standard thread length	M40x1,5	19-28	51	10	46	46	7,5	7,5
84100-161510	with long thread	M16x1,5	5-9,5	42,5	15	20	20	2,5	2,5
84100-201510	with long thread	M20x1,5	8-13	43	15	24	24	3,5	3,5
84100-251510	with long thread	M25x1,5	11-17	50	15	29	29	5	5
84100-321510	with long thread	M32x1,5	15-21	55	15	36	36	5	5
84100-401510	with long thread	M40x1,5	19-28	59	18	46	46	7,5	7,5