

Cable glands stainless steel or plastic

in Hygienic DESIGN



Material:

Stainless steel cable gland: Outer part 1.4404 Inner part 1.4305

Plastic cable gland: Polyamide. Cable gland seal: TPU. Hose:

Polyamide.

Version:

Cable gland: bright stainless steel, transparent plastic.

Hose: coated

Sample order:

nIm 84100-13-12150

Note:

Washers supplied.

EN 60423 metric thread.

IP rating 66, 68 up to 15 bar, 69K.

Tension relief corresponds to EU standard 62444.

EHEDG certified.

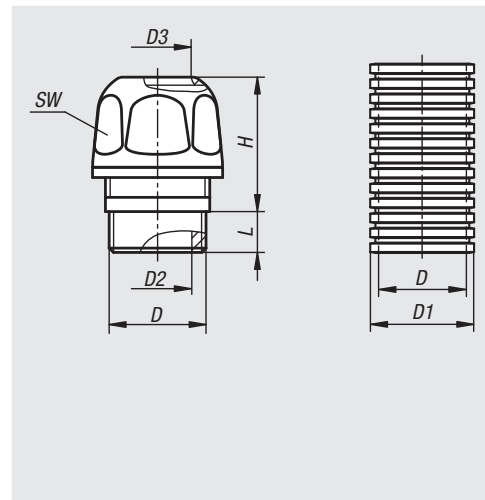
Seal insert ADI - free

Temperature range:

Stainless steel cable glands: -40 °C to +85 °C.

Plastic cable glands: -20 °C to +85 °C.

Hose: -20 °C to +95 °C.



Order No.	Item	Main material	D	D1	D2	D3	H	SW	L
84100-13-12150	cable gland	stainless steel	M12x1,5	-	8	7-5	19	17	7
84100-13-16150	cable gland	stainless steel	M16x1,5	-	10	9-7	21	20	9
84100-13-20150	cable gland	stainless steel	M20x1,5	-	12,5	12-9	27	24	9
84100-13-25150	cable gland	stainless steel	M25x1,5	-	18,5	18-15	27	30	10
84100-13-32150	cable gland	stainless steel	M32x1,5	-	25,3	23-20	27	36	11
84100-13-16151	cable gland	plastic	M16x1,5	-	10	9-7	25	22	9
84100-13-20151	cable gland	plastic	M20x1,5	-	12,5	12-9	29	26	9
84100-13-25151	cable gland	plastic	M25x1,5	-	18,5	18-15	31	32	10
84100-13-32151	cable gland	plastic	M32x1,5	-	25,3	23-20	32	38	11
80800-1250	hose	plastic	11,8	16	-	-	-	-	50 m
80800-1750	hose	plastic	15,6	21,6	-	-	-	-	50 m