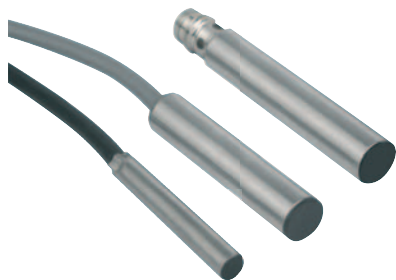


# Inductive proximity switches

round housing



## Material:

Housing stainless steel.  
Active face POM or PBT.

## Version:

Voltage:  $U = 10 - 30 \text{ V DC}$   
Function: Normally open  
Switch type: PNP  
Mounting type: flush  
Security type: IP 67

## Sample order:

nIm 83000-010X2000

## Note:

Non-contact, wear-free operation. High switching frequency and switch accuracy. Non-sensitive to vibration, dust and moisture. Inductive sensors register all metals without contact.

Short-circuit and reverse-polarity proof.

## Temperature range:

$-25 \text{ °C}$  to  $+70 \text{ °C}$

## Safety:

This product is not suited as a sensor for the personal protection.

## Drawing reference:

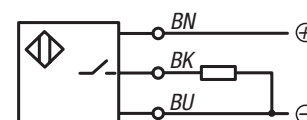
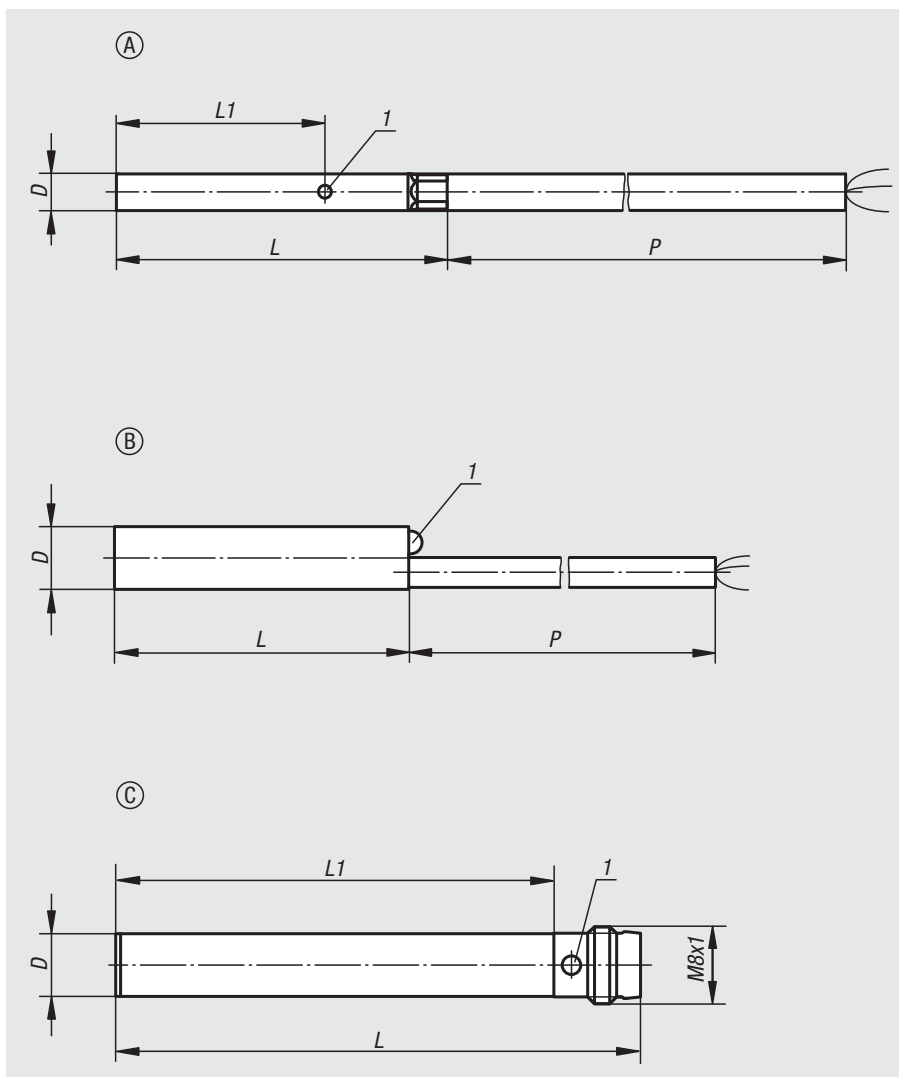
1) LED-indicator

P = cable length

BN = brown

BK = black

BU = blue



Order No.	Form	D	L	L1	P	Material active surface	Switching distance Sn (mm)	Current I max. (mA)	Switching frequency f (Hz)	Connection type	No. of conductors x conductor cross-section
83000-010X2000	A	3	27	16,7	2000	POM	1	100	2000	PUR cable	3 x 0,09 mm <sup>2</sup>
83000-020X5000	A	4	27	15,4	5000	POM	1,5	100	3000	PUR cable	3 x 0,14 mm <sup>2</sup>
83000-030X3000	B	6,5	30	-	3000	PBT	1,5	200	3000	PVC cable	3 x 0,14 mm <sup>2</sup>
83000-040	C	6,5	55	43	-	PBT	1,5	200	3000	Connector 3-pin	-
83000-050	C	6,5	60	48	-	PBT	1,5	200	5000	Connector 3-pin	-