

Inductive proximity switches

threaded housing



Material:

Housing stainless steel or nickel-plated brass.
Active face PBT or PA 12.

Version:

Voltage: $U = 10 - 30$ V DC
Function: Normally open
Switch type: PNP
Mounting type: flush
Security type: IP 67

Sample order:

nIm 83000-10-010X5000

Note:

Non-contact, wear-free operation. High switching frequency and switch accuracy. Non-sensitive to vibration, dust and moisture. Inductive sensors register all metals without contact.

Short-circuit and reverse-polarity proof.

Temperature range:

-25 °C to +70 °C

Safety:

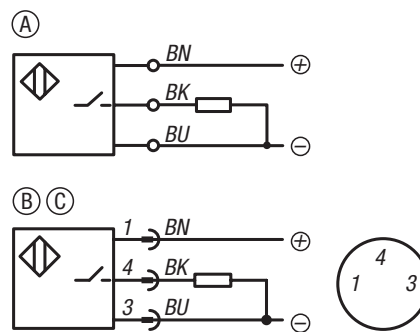
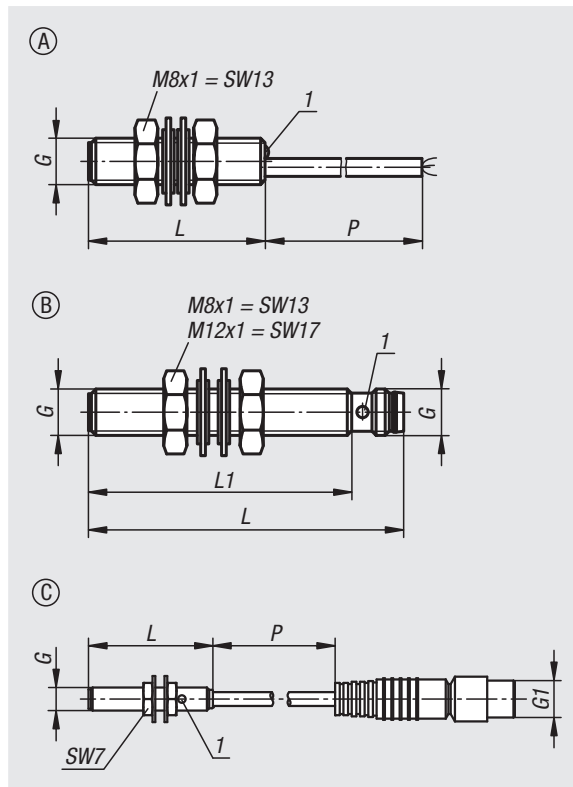
This product is not suited as a sensor for the personal protection.

Drawing reference:

1) LED-indicator

P = cable length

BN = brown
BK = black
BU = blue



Order No.	Main material	Form	G	L	L1	P	Material active surface	Switching distance Sn (mm)	Current I max. (mA)	Switching frequency f (Hz)	Connection type	No. of conductors x conductor cross-section
83000-10-010X5000	stainless steel	A	M8x1	30	-	5000	PBT	1,5	200	3000	PUR cable	3 x 0,14 mm ²
83000-10-020	stainless steel	B	M8x1	45	34,5	-	PBT	2	200	1500	Connector 3-pin	-
83000-10-030	stainless steel	B	M8x1	55	44,5	-	PBT	2	200	1500	Connector 3-pin	-
83000-10-040	brass	B	M8x1	59	50	-	PA 12	1,5	200	1000	Connector 3-pin	-
83000-10-050	brass	B	M8x1	59	50	-	PA 12	2	200	700	Connector 3-pin	-
83000-10-060	brass	B	M12x1	65	50	-	PA 12	2	200	1200	Connector 3-pin	-
83000-10-070	brass	B	M12x1	65	50	-	PA 12	4	200	500	Connector 3-pin	-
83000-10-080X300	stainless steel	C	M5X0,5	27	-	300	PBT	0,8	100	5000	connector 3-pin	-