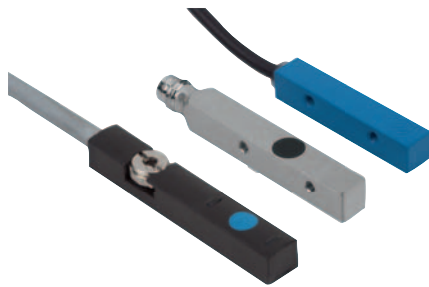


# Inductive proximity switches

rectangular housing



## Material:

Housing Form A plastic.

Housing Form B die-cast zinc alloy. Active face POM.

Housing Form C high-alloy stainless steel

## Version:

Voltage:  $U = 10 - 30$  V DC

Function: Normally open

Switch type: PNP

Mounting type: flush

Security type: IP 67

## Sample order:

nIm 83000-05-010

## Note:

Non-contact, functions wear-free with high switching frequency and accuracy. Non-sensitive to vibrations, dust and moisture. Inductive sensors record all metals without contact.

Form C enables screw fastening in a T-slot. Is safe and saves space as the proximity switch lays flush in the slot.

Short-circuit proof and reverse-polarity protected.

## Temperature range:

-25 °C to +70 °C

## Safety:

This product is not suited as a sensor for the personal protection.

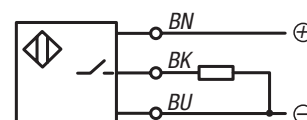
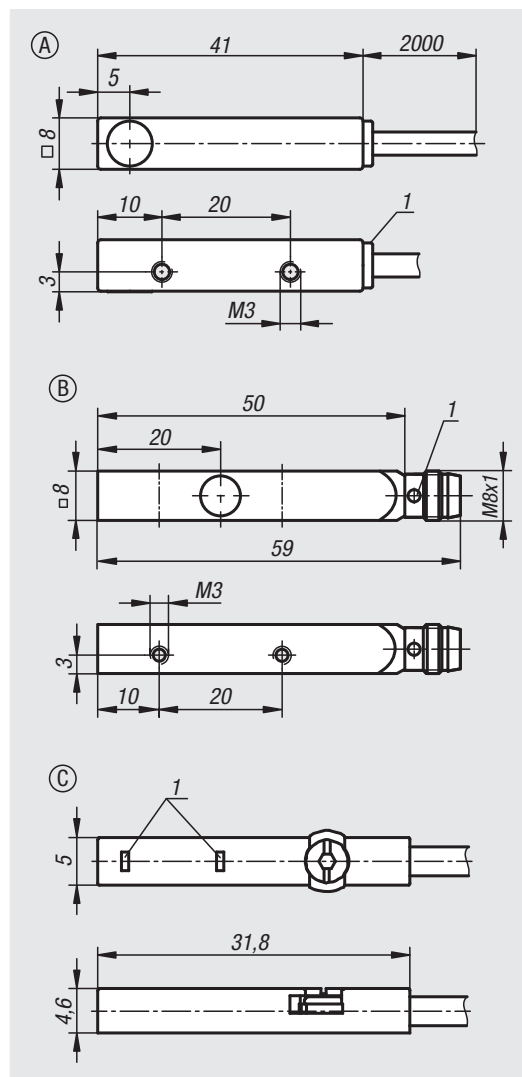
## Drawing reference:

1) LED-indicator

BN = brown

BK = black

BU = blue



Order No.	Form	Switching distance $S_n$ (mm)	Current $I$ max. (mA)	Switching frequency $f$ (Hz)	Connection type	No. of conductors x conductor cross-section
83000-05-005	A	2	100	1500	PUR cable	3 x 0,14 mm <sup>2</sup>
83000-05-010	B	1,5	200	5000	Connector 3-pin	-
83000-05-015	C	1,5	150	4500	TPE-U (PU) CABLE	3 x 0,14 mm <sup>2</sup>