

Switched-mode power supplies

for top-hat rail mounting



Version:

Single-phase primary switched-mode power supply in metal housing.

Sample order:

n1m 82100-10-2410240

Note:

Closed version with screw fittings with contact protection. Overload protection due to current limit, auto recovery. Protected against short-circuit, overload and surges. Power on LED indicator. For DIN top hat rail mounting.

Temperature range:

-10°C to +70°C.

Technical data:

Rating: IP00

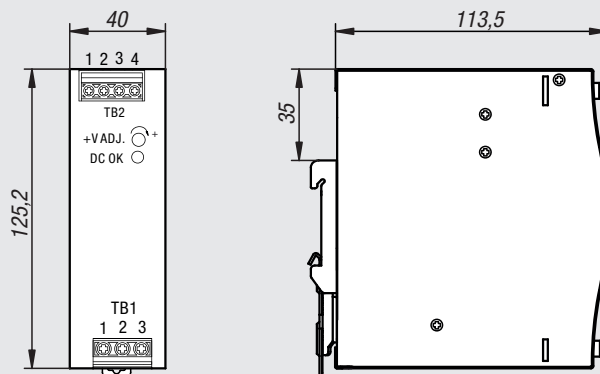
Protection class: I

Standard: UL508, TUV EN60950-1, CE

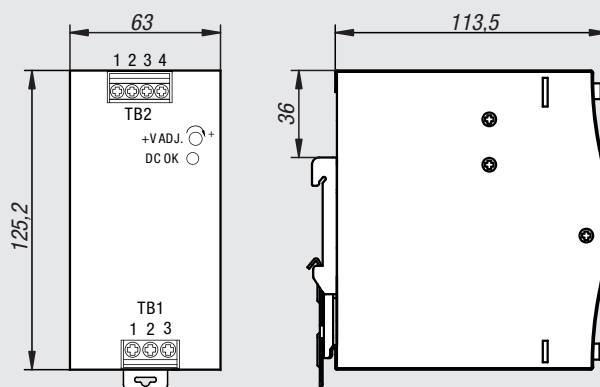
Connection: screw terminals with contact protection

Fastening: installation on DIN rail TS-35/7.5 or 15

82100-10-2405120

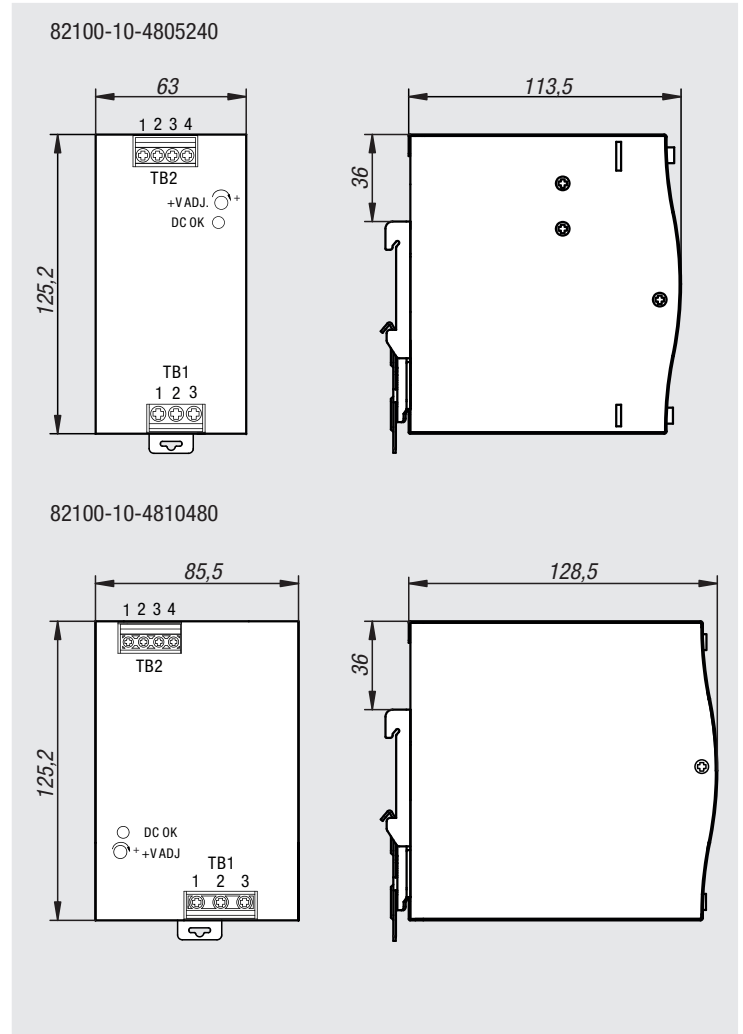


82100-10-2410240



Switched-mode power supplies

for top-hat rail mounting



Order No.	Version 1	Input voltage VAC	Frequency Hz	Output voltage V	Output nom. current A	Output performance W
82100-10-2405120	24 V DC	90 - 264	47 - 63	24	5	120
82100-10-2410240	24 V DC	90 - 264	47 - 63	24	10	240
82100-10-4805240	48 V DC	90 - 264	47 - 63	48	5	240
82100-10-4810480	48 V DC	90 - 264	47 - 63	48	10	480