

## Description

### Material:

Plastic  
Contact terminals AgNi, gold-plated 5µm.

### Version:

Push button red.  
Push button white.  
Housing black/yellow.

### Note:

The Minibox is a ready-to-install, fully equipped housing including emergency stop button and push button. The narrow housing form is particularly suitable for mounting on aluminium profiles.

Emergency stop buttons are used to manually switch off machines and systems quickly in emergencies. The push button engages when depressed and can be unlocked again by twisting it to the right or left. The red button is located on a yellow background. This ensures good identification.

### Certificates / Standards met:

CE, TÜV Süd.  
EN 60947-1, EN 60947-5-5

### Technical data:

Mounting position: arbitrary.  
Mechanical service life: 50,000 switching cycles.  
Electrical service life: 50,000 switching cycles at nominal load.  
NC contact forced opening: acc. to EN 60947-5-1, App K.

Rated insulation voltage  $U_i$ : 250 V.

Permanent thermal current: AC15 4 A. DC13 2,5 A.

Utilisation category acc. to IEC/EN60947-5-1:

AC15: 240 V / 1,5 A.

DC13: 24 V / 2 A.

### Temperature range:

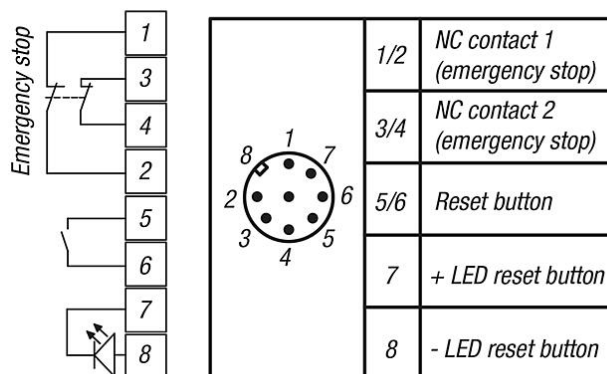
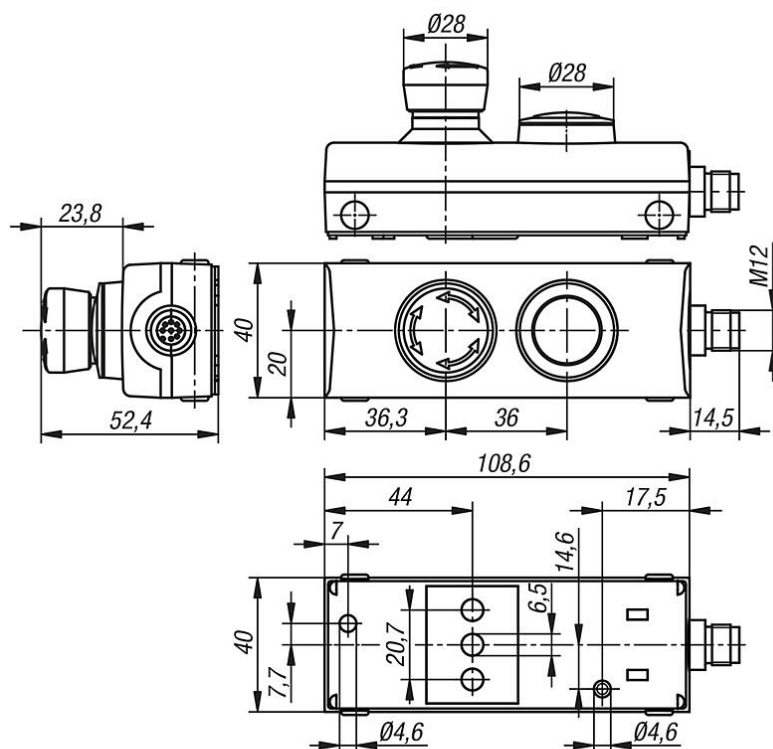
Storage temperature: -25 °C to +85 °C.

Operating temperature: -25°C to +70°C.

### Assembly:

Using the fastening clip, the Minibox can be attached directly into aluminium profile 8 mm slots or onto flat surfaces.

Alternatively, by opening the housing, the Minibox can also be mounted directly on flat surfaces via the Ø 4.6 mm mounting holes in the lower part of the housing.



Overview of items

Order No.	Installed Ø	Connection type	No. of NO contacts	No. of NO contacts (key)	No. of NC contacts	Illuminable
81150-22-214200	22,3	M12 8-pole, A coded	1	1	2	no

Order No.	Operating voltage V	Operating current mA	Anti-block collar	Release	Bounce time ms	Test voltage M12 plug kV
81150-22-214200	1-36	1-250	no	right/left rotation	<10	1,5

Order No.	Switch position indicator	Safety rating	Protection class	Self-monitoring	Tamper-proof
81150-22-214200	yes	IP65	II Protective insulation	yes	yes