

Description

Material:

Plastic
Contact terminals AgNi.

Version:

Push button red
Housing black/yellow.

Note:

The Minibox is a ready-to-install, fully equipped housing including emergency stop button. The narrow housing form is particularly suitable for mounting on aluminium profiles.

Emergency stop buttons are used to manually switch off machines and systems quickly in emergencies. The push button engages when depressed and can be unlocked again by twisting it to the right or left. The red button is located on a yellow background. This ensures good identification.

Certificates / Standards met:

CE, TÜV Süd.
EN 60947-5-1, EN 60947-5-5, EN ISO 13850.

Technical data:

Mounting position: arbitrary.
Mechanical service life: 50,000 switching cycles.
Electrical service life: 50,000 switching cycles at nominal load.
NC contact forced opening: acc. to EN 60947-5-1, App K.

Rated insulation voltage U_i : 250 V.

Permanent thermal current: AC15 4 A. DC13 2,5 A.

Utilisation category acc. to IEC/EN60947-5-1:

AC15: 240 V / 1,5 A.

DC13: 24 V / 2 A.

Temperature range:

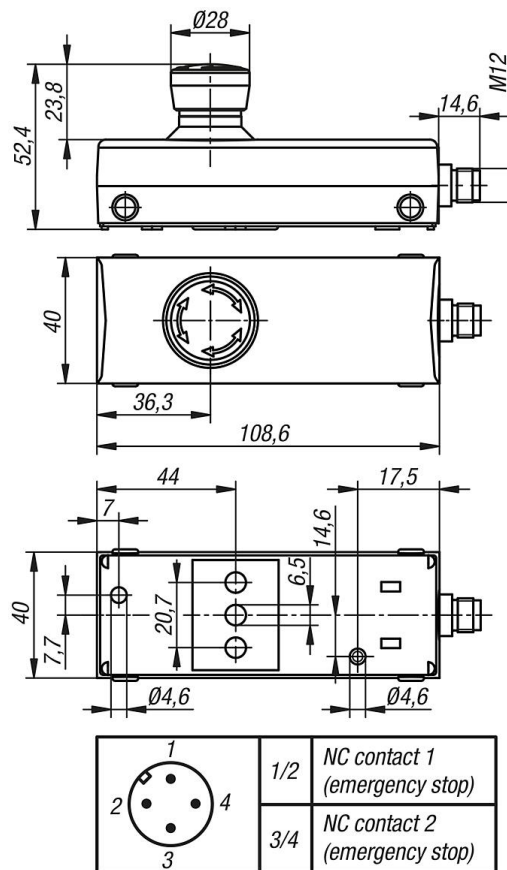
Storage temperature: -25 °C to +85 °C.

Operating temperature: -25°C to +70°C.

Assembly:

Using the fastening clip, the Minibox can be attached directly into aluminium profile 8 mm slots or onto flat surfaces.

By opening the housing, the Minibox can also be mounted directly on flat surfaces via the Ø 4.6 mm mounting holes.



Overview of items

Order No.	Installed Ø	Connection type	No. of NC contacts	Illuminable	Anti-block collar
81150-21-204200	22,3	M12 4-pole, A coded	2	no	no

Order No.	Contact resistance m Ohm	Release	Bounce time ms	Test voltage M12 plug kV
81150-21-204200	<100	right/left rotation	<10	2,0

Order No.	Switch position indicator	Safety rating	Protection class	Self-monitoring	Tamper-proof
81150-21-204200	yes	IP65	II Protective insulation	no	yes