



## Description

### Material:

Plastic  
Contact terminals AgNi.

### Version:

Push button red  
Housing black/yellow.

### Note:

Emergency stop buttons are used to manually switch off machines and systems quickly in emergencies. The push button engages when depressed and can be unlocked again by twisting it to the right or left. The red button is located on a yellow background. This ensures good identification.

### Certificates / Standards met:

CE, TÜV Süd, CCC.  
EN 60947-5-1, EN 60947-5-5, EN ISO 13850.

### Technical data:

Mounting position: arbitrary.  
Mechanical service life: 50,000 switching cycles.  
Electrical service life: 50,000 switching cycles at nominal load.  
NC contact forced opening: acc. to EN 60947-5-1, App K.

Rated insulation voltage  $U_i$ : 250 V.

Permanent thermal current: 10A.

Utilisation category acc. to IEC/EN60947-5-1:

AC15: 250 V / 3 A.

DC13: 24 V / 2 A.

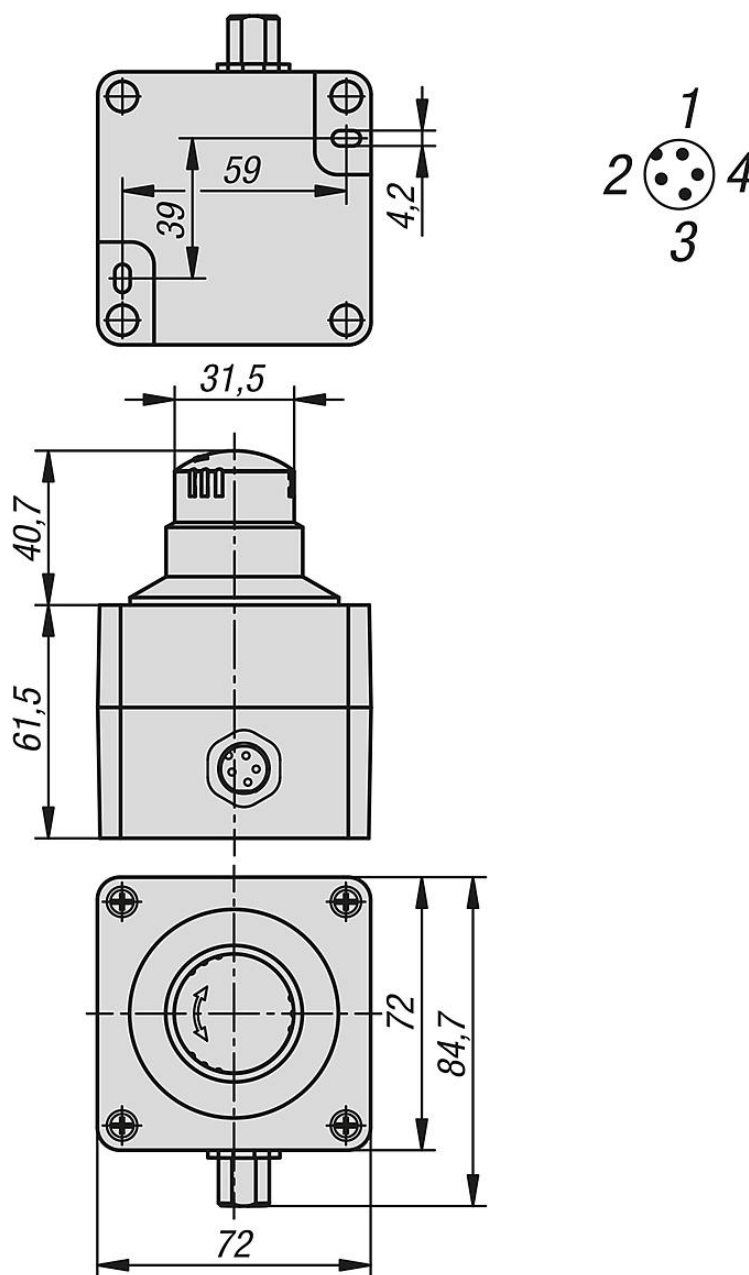
### Temperature range:

Storage temperature: -50 °C to +85 °C.

Operating temperature: -25°C to +55°C.

### Advantages:

The safety contact ( design with NO contact) constantly monitors the orderly connection between the emergency stop button and the contact element. If the emergency stop button is separated from the contact element due to negligent installation or mechanical damage, the safety contact breaks immediately and the machine is stopped.



Overview of items

Order No.	Installed Ø	Connection type	No. of NO contacts	No. of NC contacts	Tightening torque Mounting nut Nm	Illuminable
81150-16-204210	22,3	M12 4-pole, A coded	-	2	2,5	no
81150-16-214210	22,3	M12 8-pole, A coded	1	2	2,5	no

Order No.	Anti-block collar	Contact resistance m Ohm	Release	Contact voltage min. V	Contact current min. mA
81150-16-204210	yes	<100	right/left rotation	24	5
81150-16-214210	yes	<100	right/left rotation	24	5

Order No.	Bounce time ms	Switch position indicator	Safety rating	Protection class	Self-monitoring	Tamper-proof
81150-16-204210	<10	yes	IP65/IP67	II Protective insulation	no	yes

# 81150-16 Emergency stop button in Ø 22.3 mm housing with contact blocks, connection M12



## Overview of items

Order No.	Bounce time ms	Switch position indicator	Safety rating	Protection class	Self-monitoring	Tamper-proof
81150-16-214210	<10	yes	IP65/IP67	II Protective insulation	yes	yes