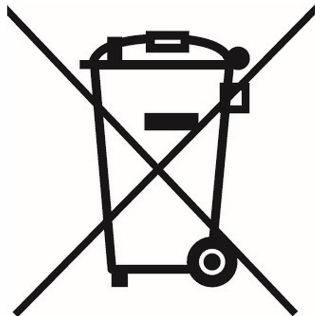


Item description/product images



for electrics

**Description****Material:**

Plastic
Contact terminals AgNi.

Version:

Push button red
Frame yellow.

Note:

Emergency stop buttons are used to manually switch off machines and systems quickly in emergencies. The push button engages when depressed and can be unlocked again by twisting it to the right or left. The red button is located on a yellow background. This ensures good identification.

Certificates / Standards met:

CE, TÜV Süd, CCC, cURus.
EN 60947-5-1, EN 60947-5-5, EN ISO 13850.

Technical data:

Mounting position: arbitrary.
Mechanical service life: 50,000 switching cycles.
Electrical service life: 50,000 switching cycles at nominal load.
NC contact forced opening: according to EN 60947-5-1, App K.
B10d: 250000.

Rated insulation voltage U_i : 250 V.

Permanent thermal current: 5A.

Utilisation category acc. to IEC/EN60947-5-1:

AC15: 240 V / 1.5 A.

DC13: 24 V / 2 A.

Temperature range:

Storage temperature: -40 °C to +80 °C.

Operating temperature: -25°C to +70°C.

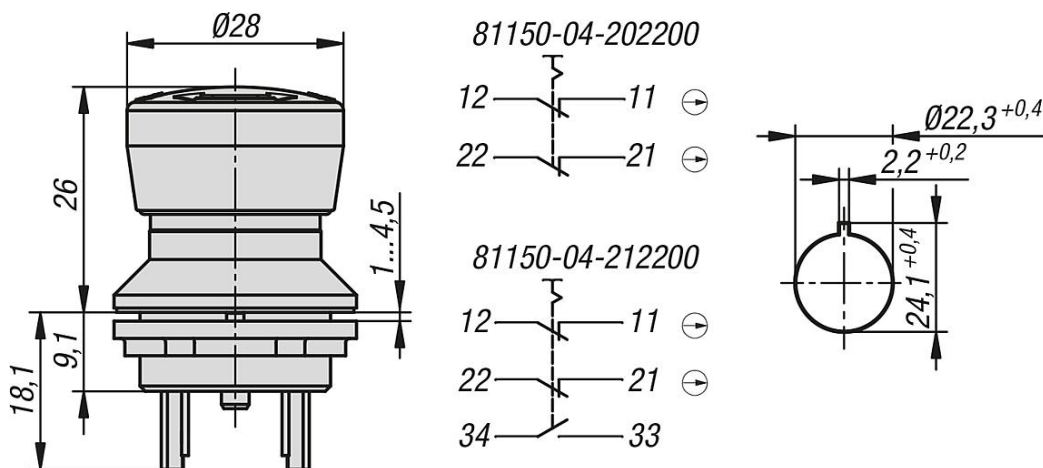
Advantages:

The safety contact (design with NO contact) constantly monitors the orderly connection between the emergency stop button and the contact element. If the emergency stop button is separated from the contact element due to negligent installation or mechanical damage, the safety contact breaks immediately and the machine is stopped.

Item description/product images



Drawings



Overview of items

Order No.	Installed Ø	Connection type	No. of NO contacts	No. of NC contacts	Tightening torque Mounting nut Nm
81150-04-202200	22,3	flat connector 2.8x0.5 mm	-	2	1,3-1,9
81150-04-212200	22,3	flat connector 2.8 x 0.5 mm	1	2	1,3-1,9

Order No.	Illuminable	Anti-block collar	Contact resistance m Ohm	Release	Bounce time ms
81150-04-202200	no	no	<50	right/left rotation	<10
81150-04-212200	no	no	<50	right/left rotation	<10

Order No.	Switch position indicator	Safety rating	Self-monitoring	Contamination level	Tamper-proof
81150-04-202200	yes	IP65/IP67	no	3	yes
81150-04-212200	yes	IP65/IP67	no	3	yes

Overview of items
